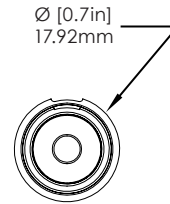
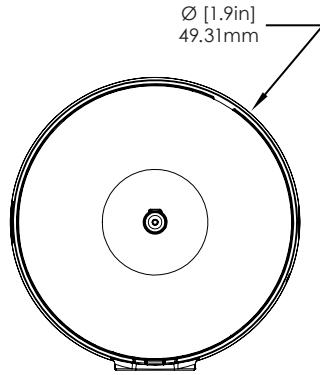
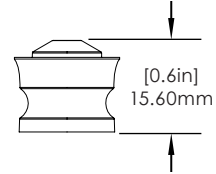
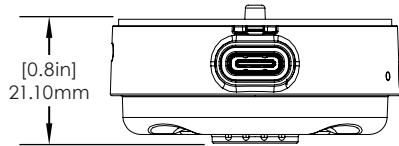


OnePOD Wireless / Technical Specifications

SPECIFICATIONS

OnePOD Wireless Sensor with Stand Cover (DBD700):

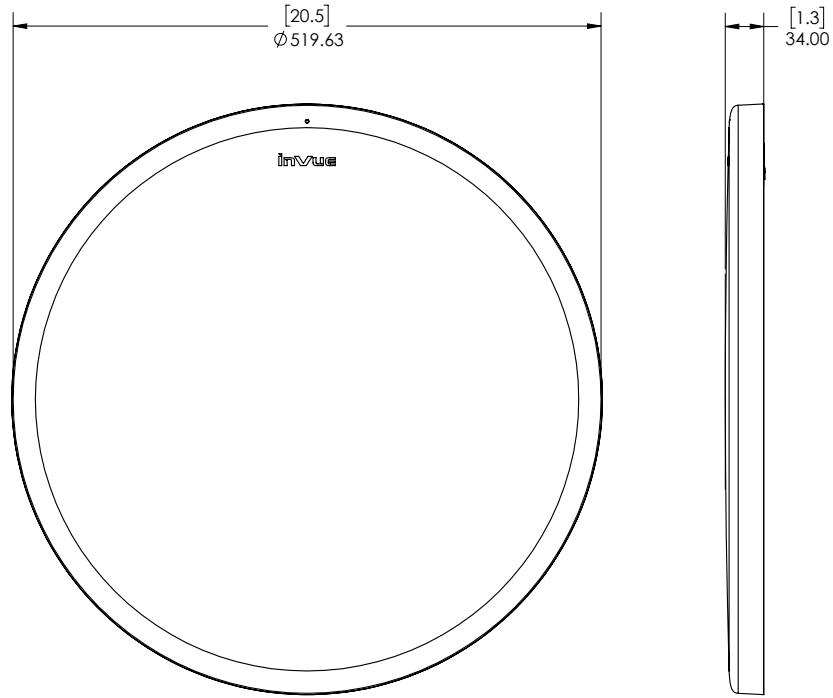
OnePOD Wireless Sensor with Stand Cover - No Chirp (DBD706):



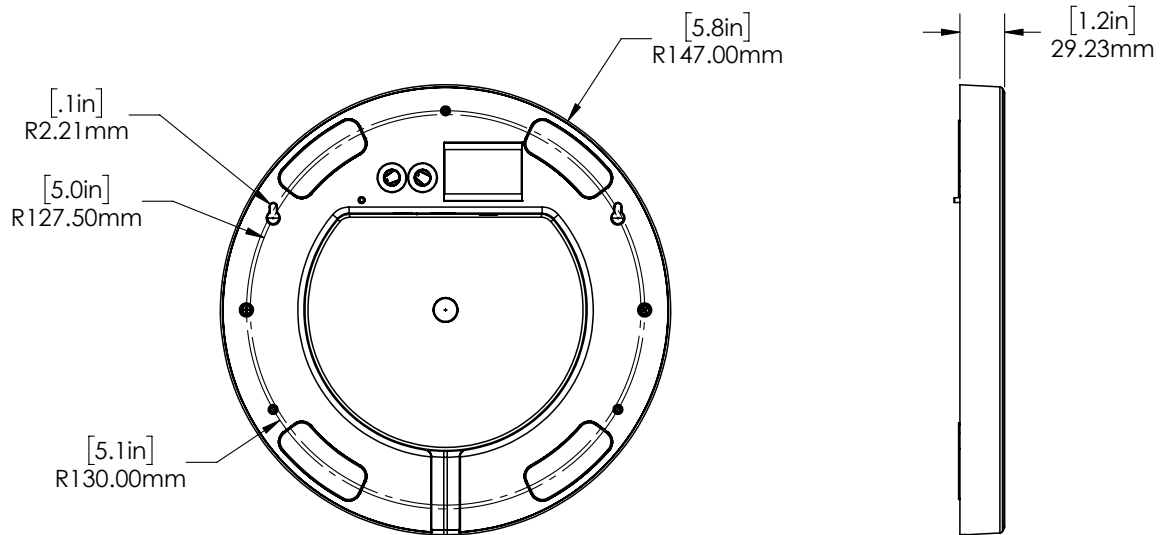
OnePOD Wireless / Technical Specifications

SPECIFICATIONS

Wireless Zone Manager - 52 cm diameter (DBD701):



Wireless Zone Manager - 30 cm diameter (DBD702):



OnePOD Wireless / Technical Specifications

ONEPOD WIRELESS

ORDER CODE	DESCRIPTION	NOTES
DBD700-B	OnePOD Wireless Sensor with Stand Cover	Black
DBD700-W	OnePOD Wireless Sensor with Stand Cover	White
DBD706-B	OnePOD Wireless Sensor with Stand Cover - No Chirp	Black
DBD706-W	OnePOD Wireless Sensor with Stand Cover - No Chirp	White
DBD703	LED Emitter Dongle for OnePOD Wireless	

ZONE MANAGER

ORDER CODE	DESCRIPTION	NOTES
DBD701	Wireless Zone Manager (52 cm diameter)	Requires YLR52 & YC*
DBD702	Wireless Zone Manager (30 cm diameter)	Inclusion/Exclusion Requires YLR52 & YC*
YLR52	5.3VDC/6.5A Power Supply	
YC3	C14 AC Cable DIB/PIB - US	
YC6	C14 AC Cable DIB/PIB - EU	
YC9	C7 AC Power Cable - US	
YC10	C7 AC Power Cable - UK	
YC11	C7 AC Power Cable - EU	
YC12	C7 AC Power Cable - AU	
YC14	C7 AC Power Cable - JP	

ACCESSORIES

ORDER CODE	DESCRIPTION	NOTES
ADH1017	Replacement Adhesive for DBD702	
ADH2180	OnePOD Sensor Replacement Adhesives	Pack of 8



OnePOD Wireless / Technical Specifications

ONEPOD WIRELESS CONFIGURATION

Sensors can be applied to any existing OnePOD display that uses a sensor (ie. One40, One55, One60, or One65) by replacing the existing sensor with the DBD700 Wireless Sensor and Stand Cover.

To set up OnePOD Wireless without an existing display the following parts are needed:

- › OnePOD Stand (One40, One55, One60, or One65)
- › OnePOD Power Connector
- › OnePOD Wireless Sensor and Stand Cover
- › Wireless Zone Manager

ONE55 - EXAMPLE CONFIGURATION

ORDER CODE	DESCRIPTION	NOTES
DBD100-W	One55 Angled Stand	
DBH700-W	OnePOD Wireless Sensor with Stand Cover	
DBH501-W	OnePOD HH USB Type C Power Connector	
PS515-US	5V USB-A Positive Slope Power Supply	
DBD701	Wireless Zone Manager (52 cm Diameter)	
YLR52	5.3 VDC/6.5A Power Supply	
YC9	C7 AC Power Cable - US	

©2022 InVue. No endorsement of InVue products has been made by any of the manufacturers of the products shown. Product is sold pursuant to InVue's warranty which can be found at www.invue.com/warranty.

THE AMERICAS 704.752.6513 • 888.55.INVUE

EUROPE, MIDDLE EAST & AFRICA +31.23.8900150

ASIA PACIFIC +852.3127.6811