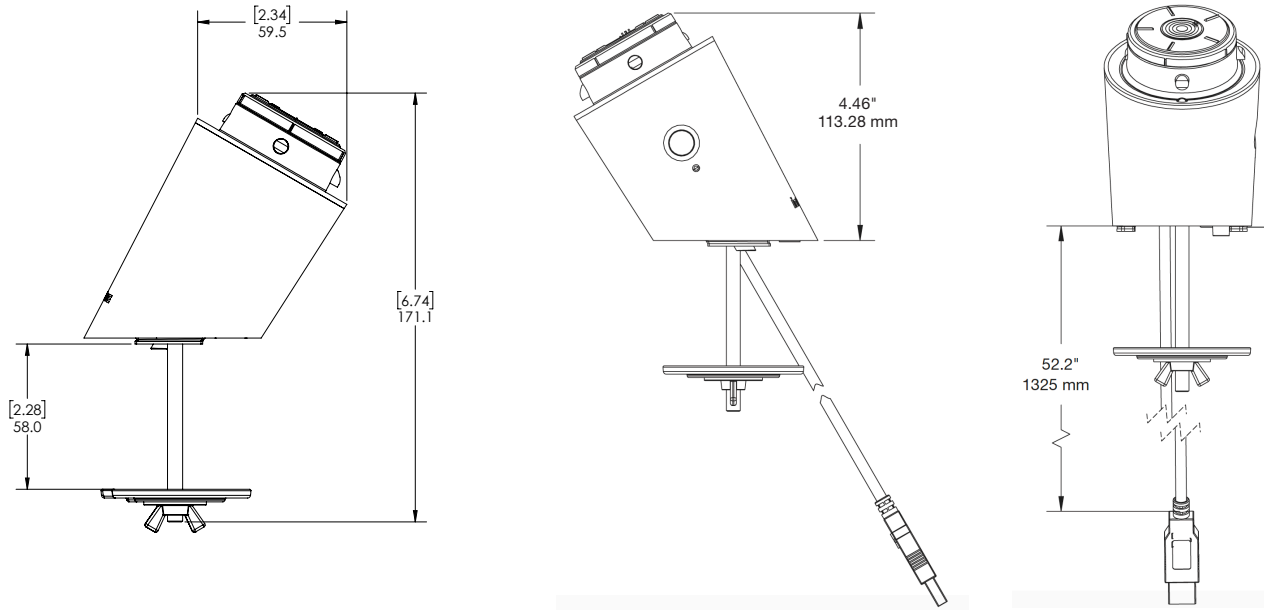


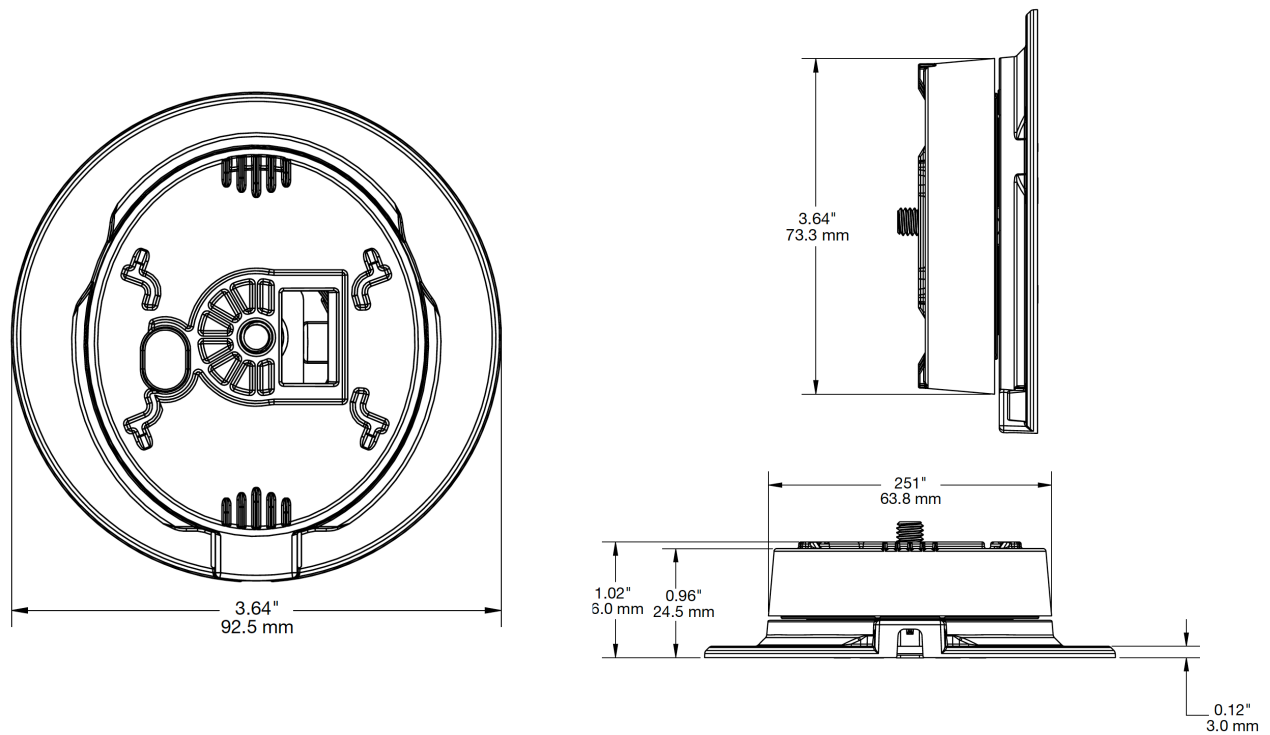
CT101 / Technical Specifications

SPECIFICATIONS

CT101 Stand, Bolt Mount Alarming/Non-Alarming (CT1011/CT1011NA):



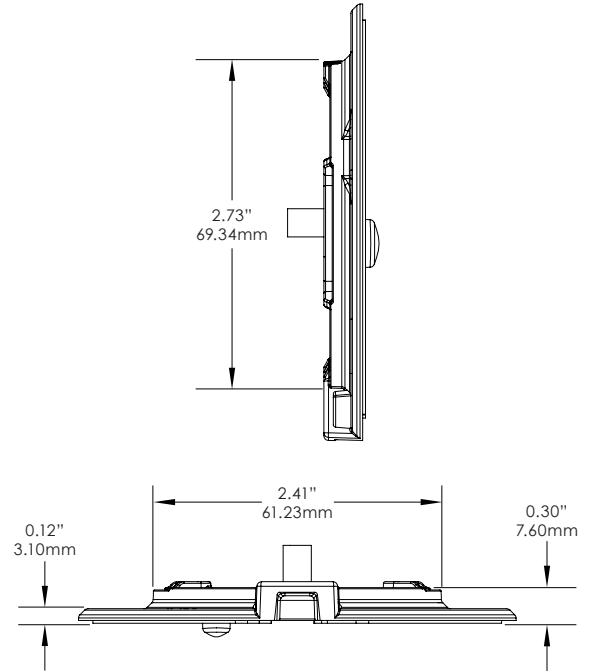
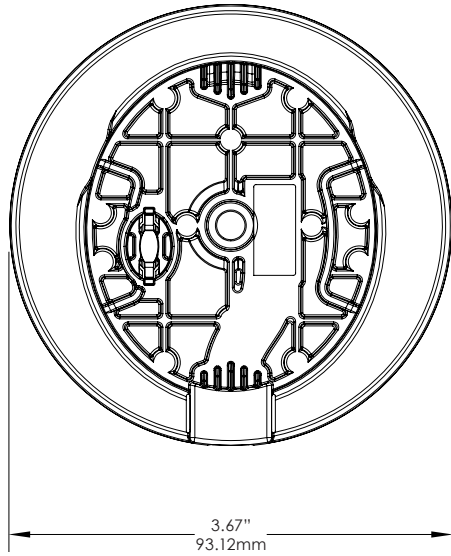
CT101 Swivel Base/Adhesive Mount (CT1012/CT1013):



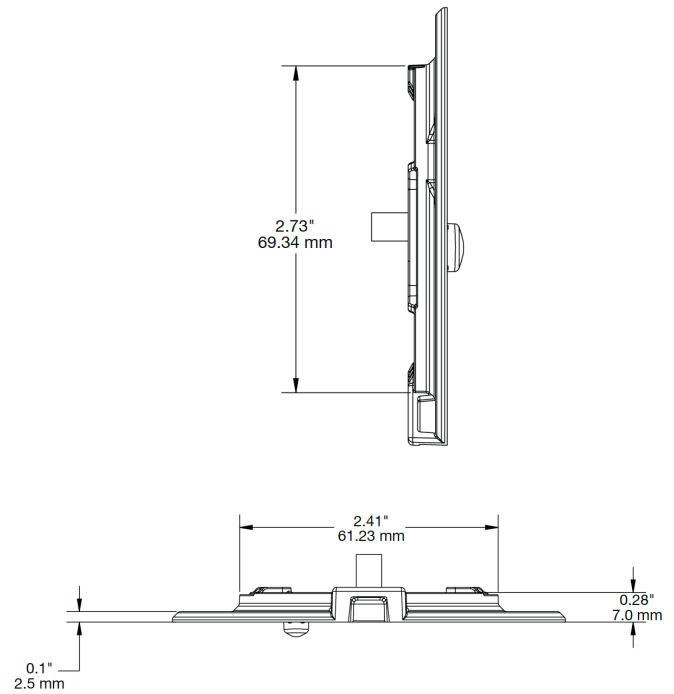
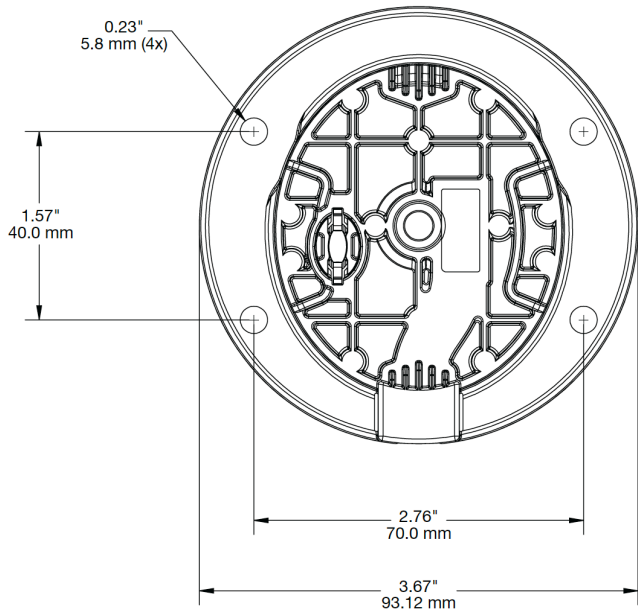
CT101 / Technical Specifications

SPECIFICATIONS

CT101 Adhesive Mount Base (CT1013):



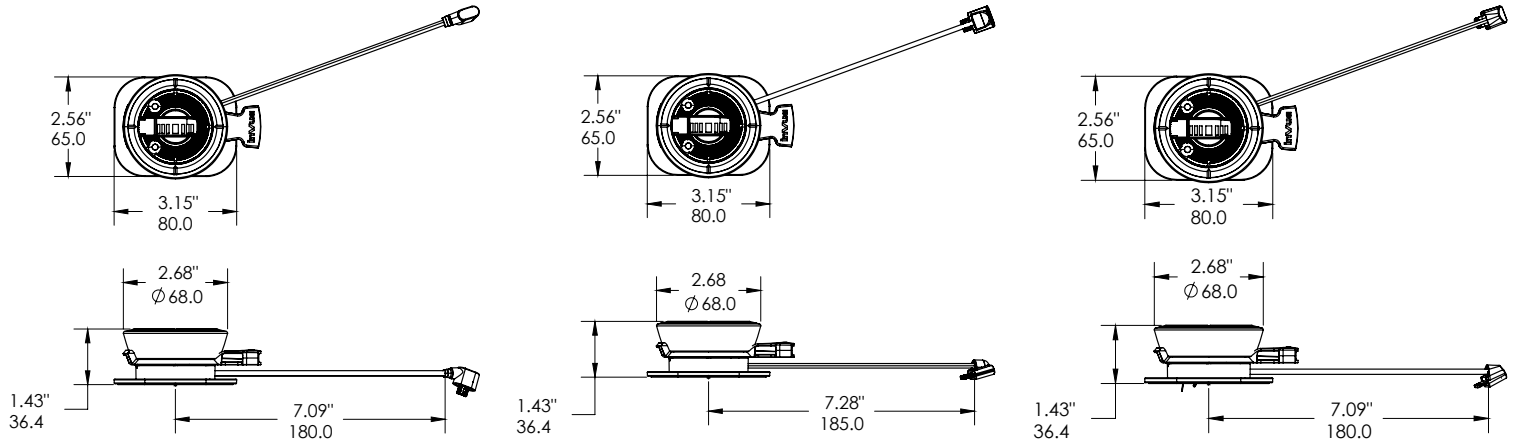
CT101 Wall Mount Plate (CT1014):



CT101 / Technical Specifications

SPECIFICATIONS

CT101 Adhesive Puck (CT1011ADH-UUSB/ CT1011ADH-USBC/ CT1011ADH-APL):

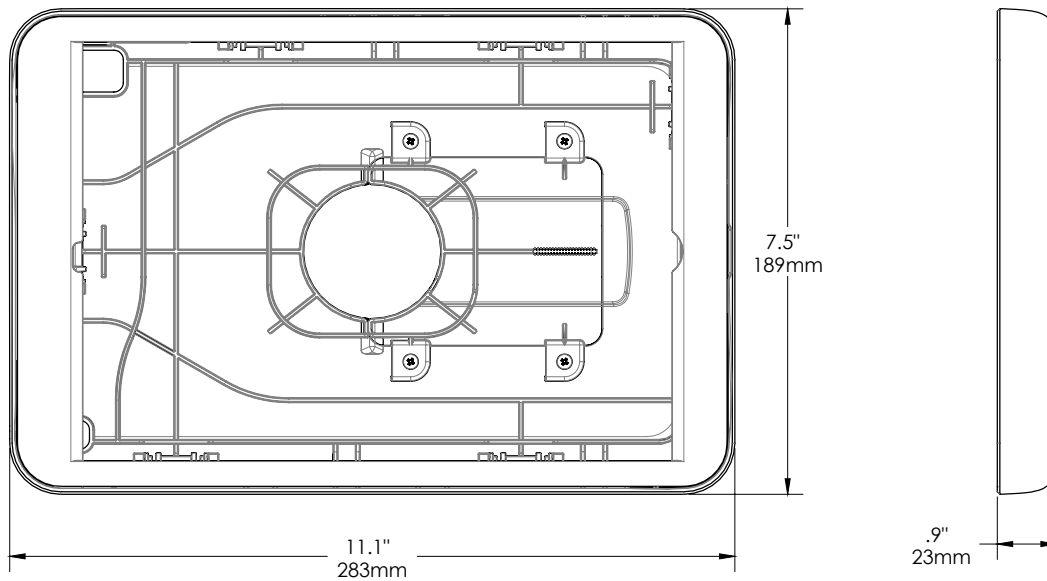


MicroUSB

USB-C

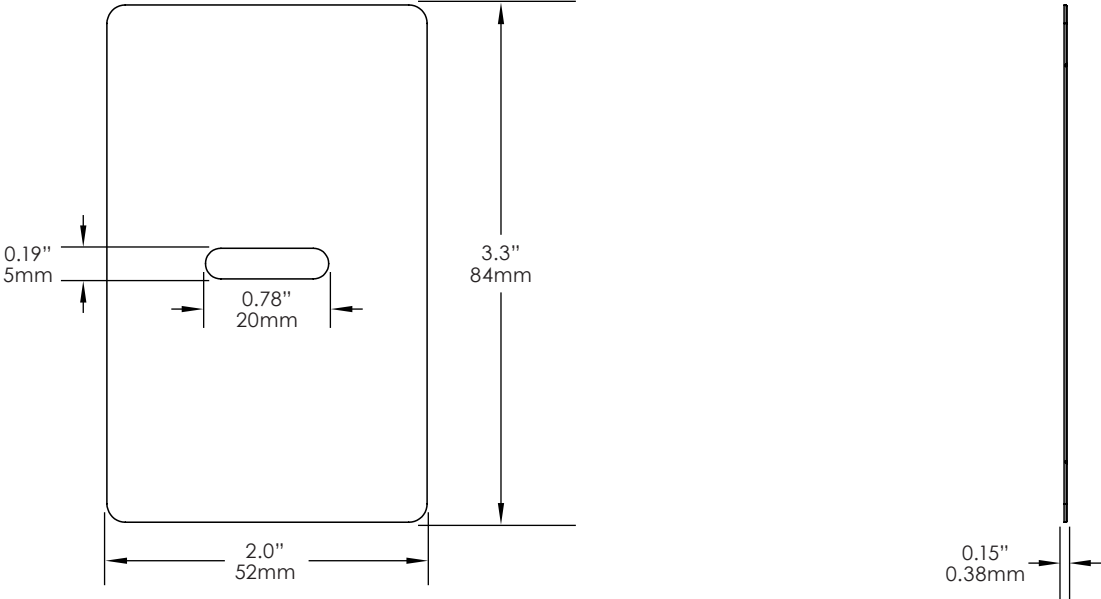
Lightning

Apple 9.7/10.2 Tablet Case (CT1015):



CT101 / Technical Specifications

Optional LSE Adhesive Pads (HC7430):



CT101 / Technical Specifications

CT101 STANDS

ORDER CODE	DESCRIPTION	NOTE
CT1011-B CT1011-W	Alarming stand, bolt mount	Available in white or black
CT1011NA-B CT1011NA-W	Non-alarming stand, bolt mount	Available in white or black
CT1012-B CT1012-W	Swivel base	Available in white or black
CT1013-B CT1013-W	Adhesive mount base	Available in white or black
CT1014-B CT1014-W	Wall mount plate	Available in white or black

CT101 ACCESSORIES

ORDER CODE	DESCRIPTION	
CT1011ADH-UUSB	MicroUSB adhesive puck	
CT1011ADH-USBC	USB-C adhesive puck	Requires PS564 or PS539
CT1011ADH-APL	Apple Lightning adhesive puck	
CTG2P001	Freestanding Acrylic Base	
ADH2071	Replacement adhesive for the mounting bases - 5 sets	
CTBA007	Magtek iDynamo mount	
CT203	Hand strap	
CT307	Shoulder strap	
CT312	Adhesive mount removal tool	
CT204	Replacement adhesive for stands	
ADH2143	Tablet Puck Replacement Adhesives, 5pk	
HC7430	Optional LSE Adhesive Pads, 5pk Note: Required if affixing CT101 puck to surface where standard adhesive will not adhere properly, such as some 3rd party cases or tablet with textured backs.	
AF6313	Multi-tool	
DNTX93	Scoop Blade Removal Tool	



CT101 / Technical Specifications

CT101 POWER

ORDER CODE	DESCRIPTION	
PS564	5-15V/3A 45W PD POWER SUPPLY, NO LINE CORD	REQUIRED FOR USB-C TABLETS USE PS539 IF PS564 IS NO LONGER AVAILABLE
PS564-US	5-15V/3A 45W PD POWER SUPPLY, US LINE CORD	
PS564-UK	5-15V/3A 45W PD POWER SUPPLY, UK LINE CORD	
PS564-EU	5-15V/3A 45W PD POWER SUPPLY, EU LINE CORD	
PS564AUS	5-15V/3A 45W PD POWER SUPPLY, AUSTRALIA LINE CORD	
PS564-JPN	5-15V/3A 45W PD POWER SUPPLY, JAPAN LINE CORD	
PS531-US	5V/3A (5 PIN) POWER SUPPLY - US	REQUIRED FOR USB-C TABLETS REQUIRES YC-SERIES POWER CABLE (NOT INCLUDED)
PS531-UK	5V/3A (5 PIN) POWER SUPPLY - UK	
PS531-EU	5V/3A (5 PIN) POWER SUPPLY - EU	
PS531-AUS	5V/3A (5 PIN) POWER SUPPLY - AUSTRALIA	
PS531-IND	5V/3A (5 PIN) POWER SUPPLY - INDIA	
PS531-JPN	5V/3A (5 PIN) POWER SUPPLY - JAPAN	
PS531-KR	5V/3A (5 PIN) POWER SUPPLY - KOREA	
PS539	5V/3A, 5-15V/3A, 20V/2.2 PD SUPPLY W/ GROUND (5 PIN) POWER SUPPLY	
YC2	POWER CABLE FOR PS539 - JAPAN	
YC3	POWER CABLE FOR PS539 - US	
YC4	POWER CABLE FOR PS539 - UK	
YC5	POWER CABLE FOR PS539 - AUS	
YC6	POWER CABLE FOR PS539 - EUR	

CT101 CASES

ORDER CODE	DESCRIPTION	NOTE
CT1015-B	APPLE 9.7/10.2 TABLET CASE	REQUIRES ADHESIVE PUCK CT1011ADH-APL
CT1015-W		

©2022 InVue Security Products. No endorsement of InVue products has been made by any of the manufacturers of the products shown. Product is sold pursuant to InVue's warranty which can be found at www.invue.com/warranty.

THE AMERICAS 704.752.6513 • 888.55.INVUE

EUROPE, MIDDLE EAST & AFRICA +31.23.8900150

ASIA PACIFIC +852.3127.6811