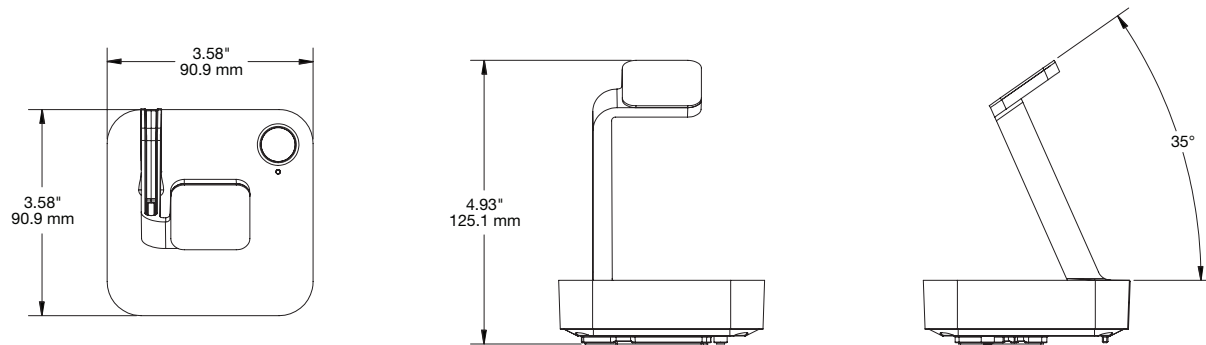
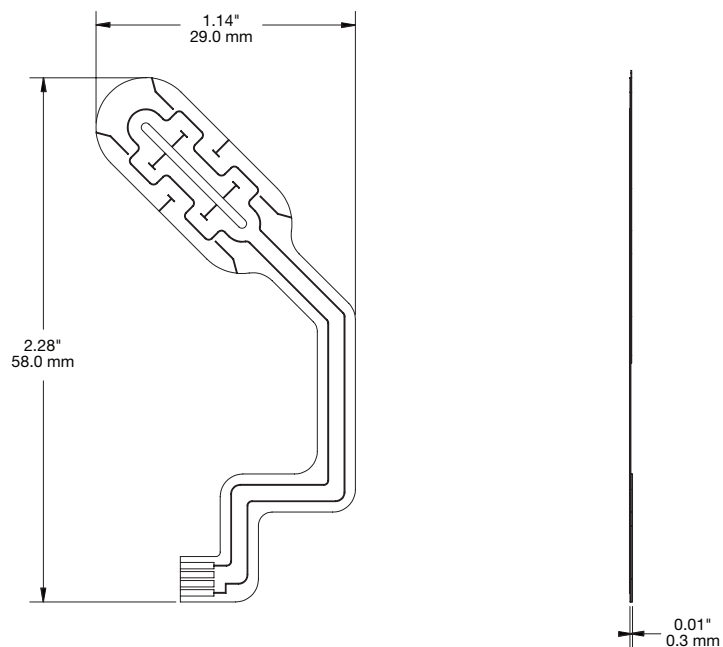


SPECIFICATIONS

W1000 Base (DVW100):

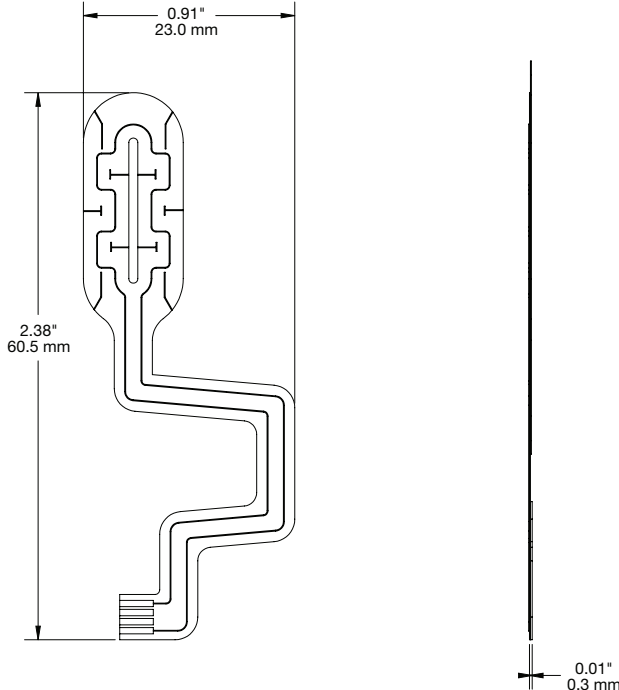


W1000 Secondary Tear Sensor - Angled for Watch (DVW200):



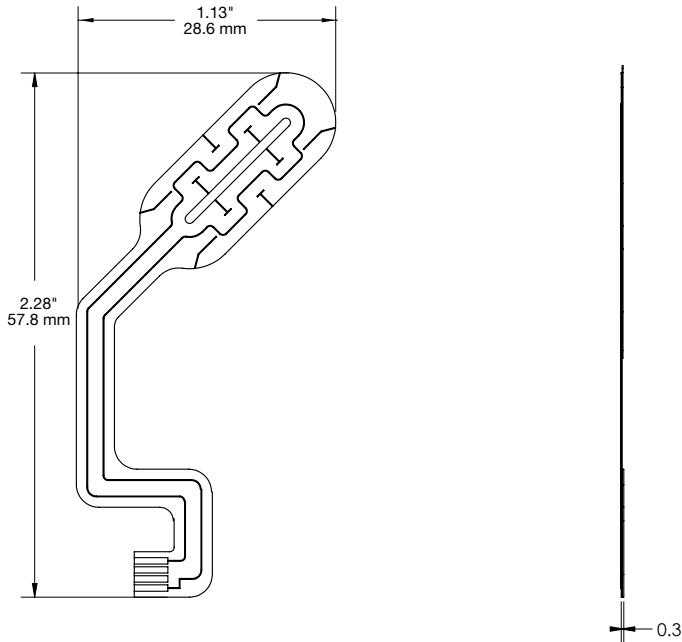
SPECIFICATIONS

W1000 Secondary Tear Sensor - Straight for Fitness (DVW201):



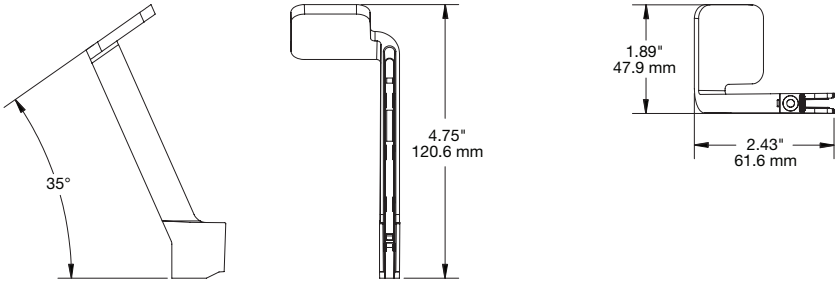
SPECIFICATIONS

W1000 Secondary Tear Sensor - Angled, Right (DVW202):

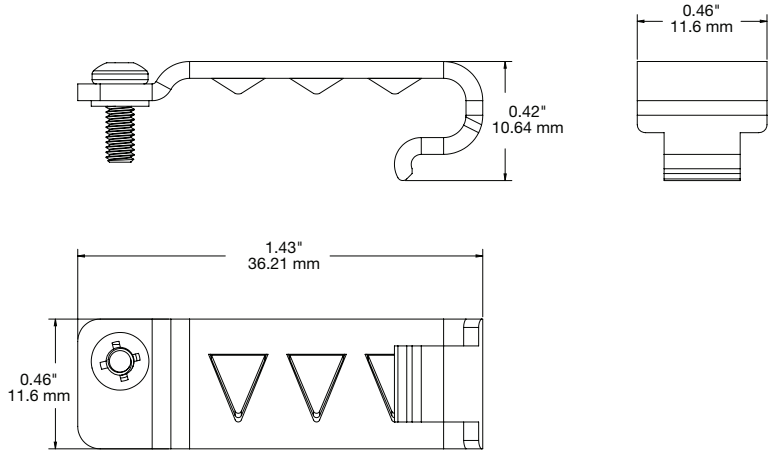


SPECIFICATIONS

W1000 Stem - Polished Nickel Color (DVW400):

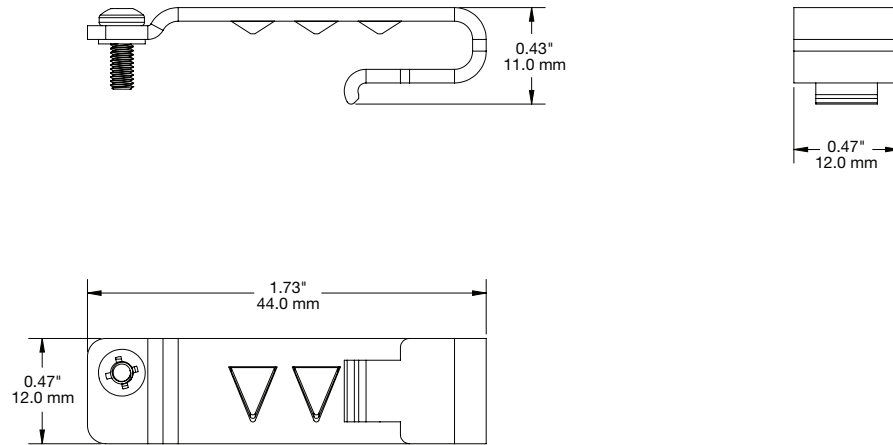


W1000 Band Clamp - Small Width (DVW402):

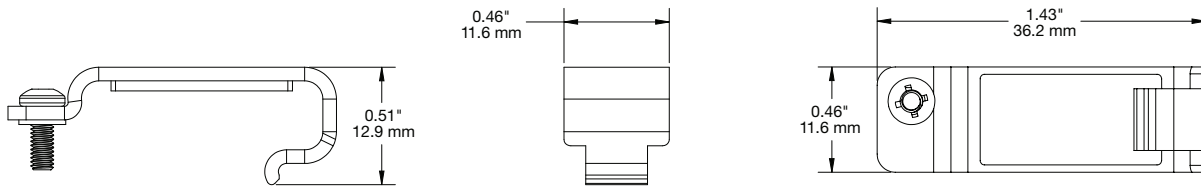


SPECIFICATIONS

W1000 Band Clamp - Large Width (DVW403):

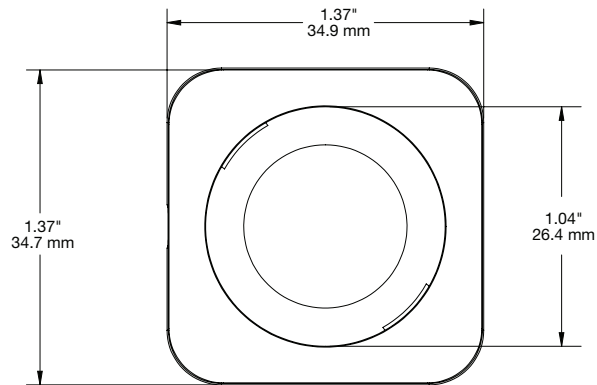


W1000 Replacement Band Clamp - Thick & Large Width (DVW414):

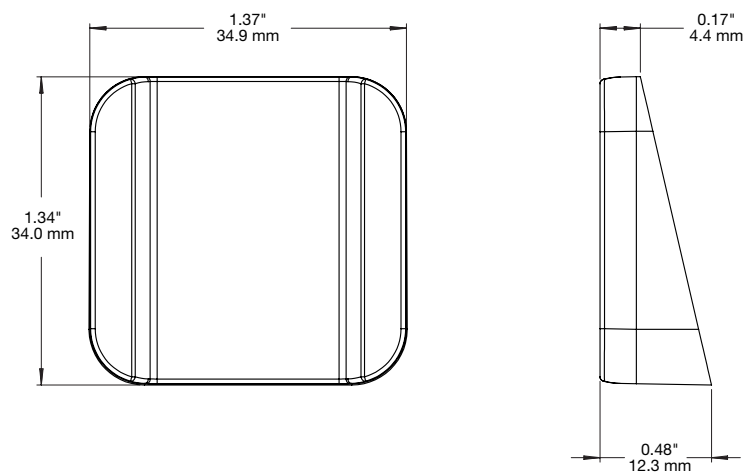


SPECIFICATIONS

J704 / W1000 - Apple Trim (DVW404):

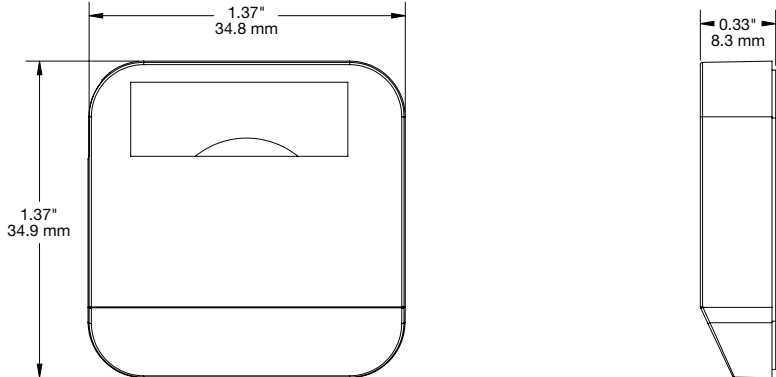


J704 / W1000 - Fitness Band Cradle (DVW405):

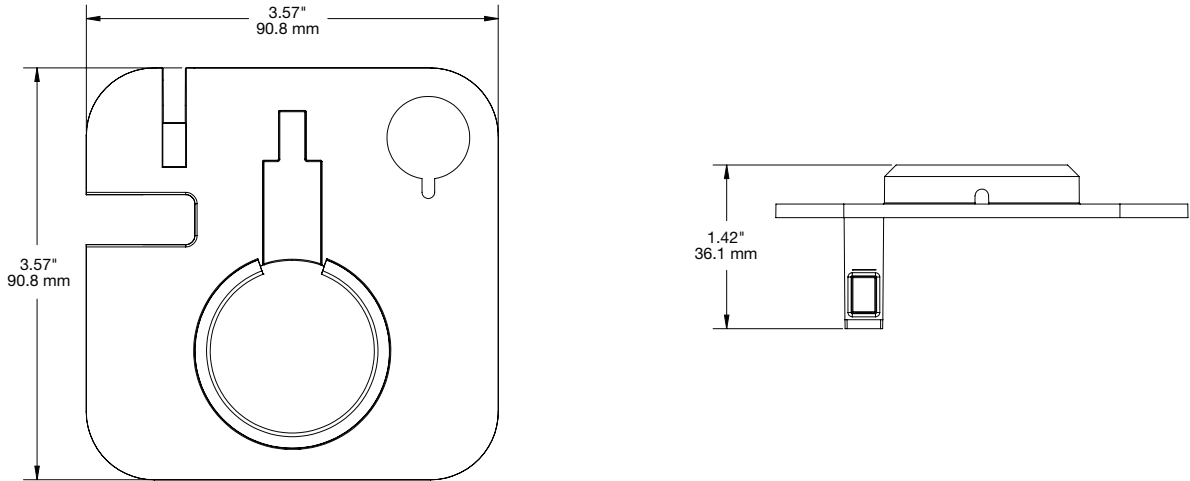


SPECIFICATIONS

J704 / W1000 - Pebble Trim (DVW406):

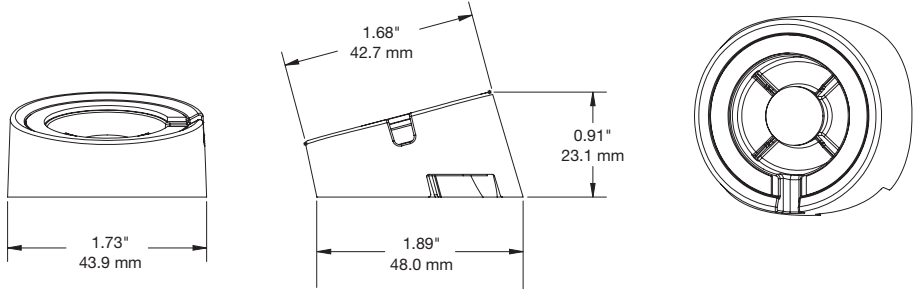


J704 / W1000 - Samsung S2 Trim (DVW409):

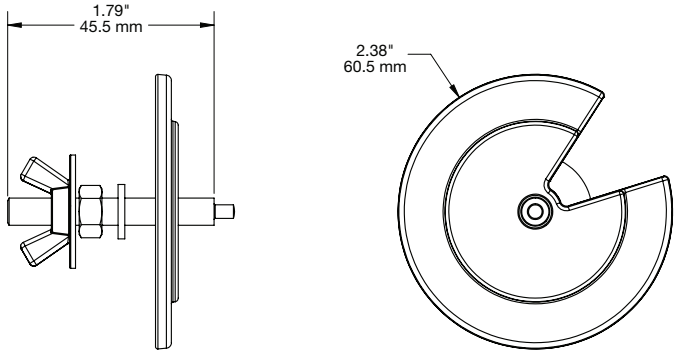


SPECIFICATIONS

W1000 / J704 - Fossil Watch Trim (DVW412):

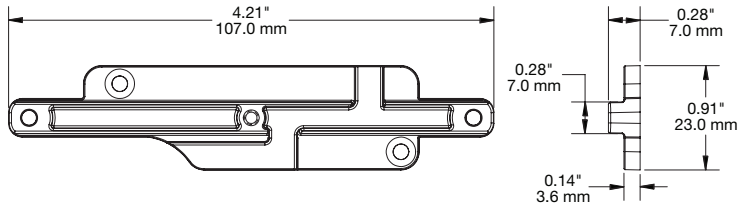


W1000 Screw Mount Kit (DVW410):



SPECIFICATIONS

W1000 Slot Mount Kit (DVW411):



W1000 / J704 Clear Watch Band Form - 4 Pack (DUW403):



PRODUCT ORDERING

ORDER CODE	DESCRIPTION	NOTES	CARTON QTY.
DVW100-W	W1000 Base - White	<ul style="list-style-type: none"> › Includes black recoiler sensor and polished nickel stem › Secondary tear sensor required › Replacement adhesives: ADH2111 and ADH2112 	16
DVW200	W1000 Secondary Tear Sensor - Angled, Left	› Use to mount on the left side of watches	100
DVW201	W1000 Secondary Tear Sensor - Straight	› Use with fitness bands	100
DVW202	W1000 Secondary Tear Sensor - Angled, Right	› Use to mount on the right side of watches	100
DVW404	W1000 / J704 Apple Trim	› Replacement adhesive: ADH2113	96
DVW405	W1000 / J704 Fitness Band Cradle	<ul style="list-style-type: none"> › It is recommended that fitness band displays use DVW405 for proper band placement › Replacement adhesive: ADH2113 	96
DVW406	W1000 / J704 Pebble Trim	› Replacement adhesive: ADH2113	96
DVW409-W DVW409-B	W1000 / J704 Samsung S2 Trim - White W1000 / J704 Samsung S2 Trim - Black	› Replacement adhesive: ADH2129	64
DVW412	W1000 / J704 Fossil Watch Trim	› Replacement adhesive: ADH2113	32
DVW400	W1000 Replacement Stem - Polished Nickel Color	› Replacement adhesive: ADH2111	32
DVW401	W1000 Stem Replacement Cover		32
DVW402	W1000 Replacement Band Clamp - Small Width	› For watch and fitness bands up to 25mm wide and up to 4.0mm thick	25
DVW403	W1000 Replacement Band Clamp - Large Width	› For watch and fitness bands up to 35mm wide and up to 4.0mm thick	25
DVW410	W1000 Screw Mount Kit		128
DVW411	W1000 Slot Mount Kit		60
DVW414	W1000 Replacement Band Clamp - Thick & Large Width	<ul style="list-style-type: none"> › For watch and fitness bands up to 25mm wide › For metal bands between 4.0mm and 5.0mm thick and nonmetal bands between 4.0mm and 6.0mm thick 	25
DUW403	W1000 / J704 Clear Watch Band Form - 4 Pack		32



PRODUCT ORDERING

ORDER CODE	DESCRIPTION	NOTES	CARTON QTY.
ADH2111	W1000 / J704 Stem Replacement Adhesive and Silicone Pads - 8 Pack		20
ADH2112	W1000 / J704 Base Replacement Adhesive - 8 Pack		20
ADH2113	W1000 / J704 Trim/Cradle Replacement Adhesive - 8 Pack		20
ADH2129	W1000 Samsung S2 Trim Replacement Adhesive - 12 Pack		20

invue.com

©2018 InVue Security Products. No endorsement of InVue products has been made by any of the manufacturers of the products shown. Product is sold pursuant to InVue's warranty which can be found at www.invue.com/warranty.

THE AMERICAS 704.752.6513 • 888.55.INVUE
EUROPE, MIDDLE EAST & AFRICA +31.23.8900150
ASIA PACIFIC +852.3127.6811

