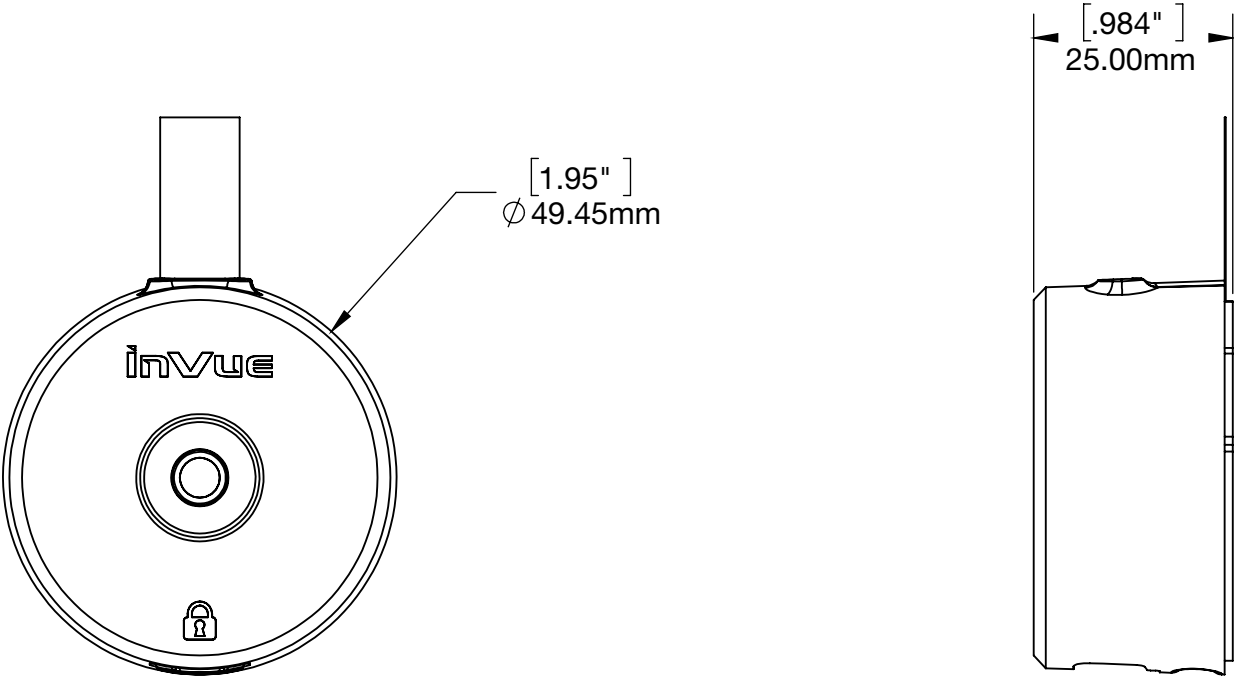


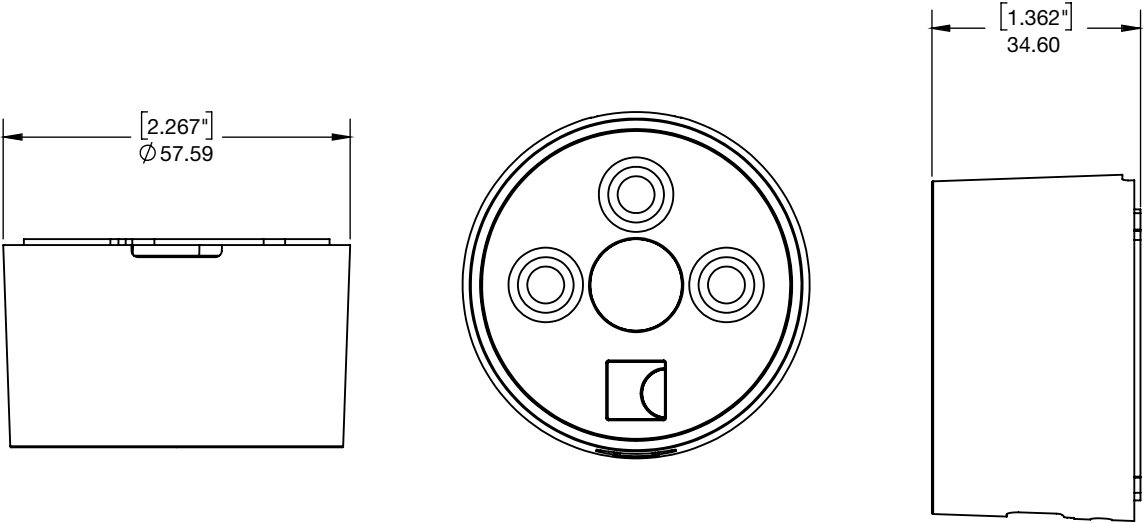
**SPECIFICATIONS**

SINGLE PORT ALARM UNIT (ZB1000):

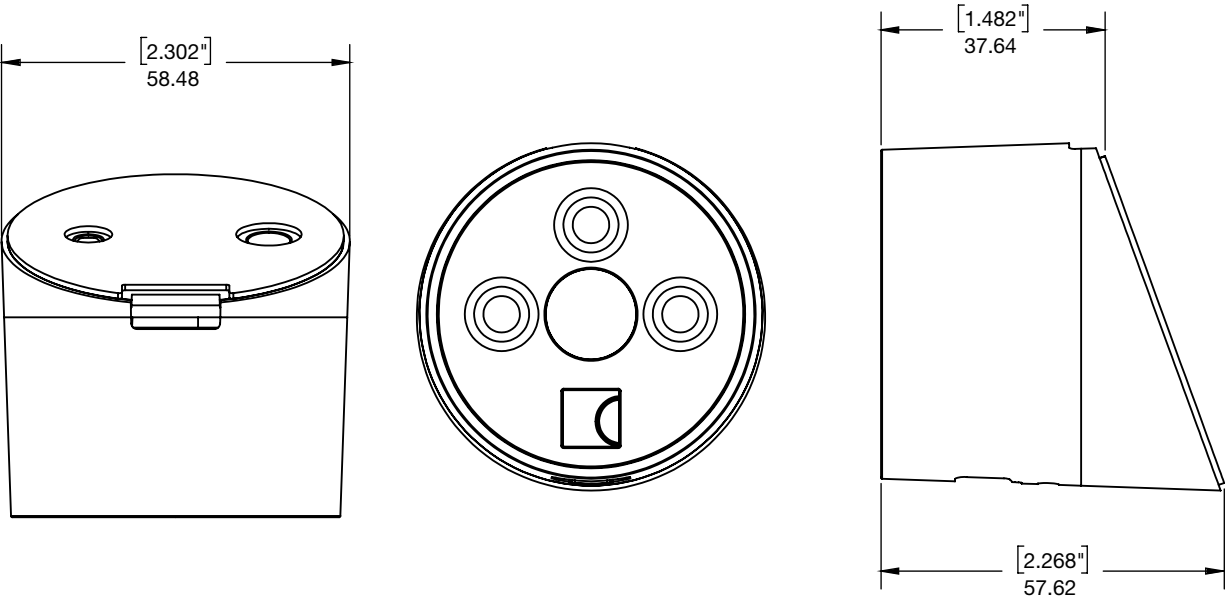


**SPECIFICATIONS**

MAGNETIC SHROUD WITH FLAT BASE (ZE1000):

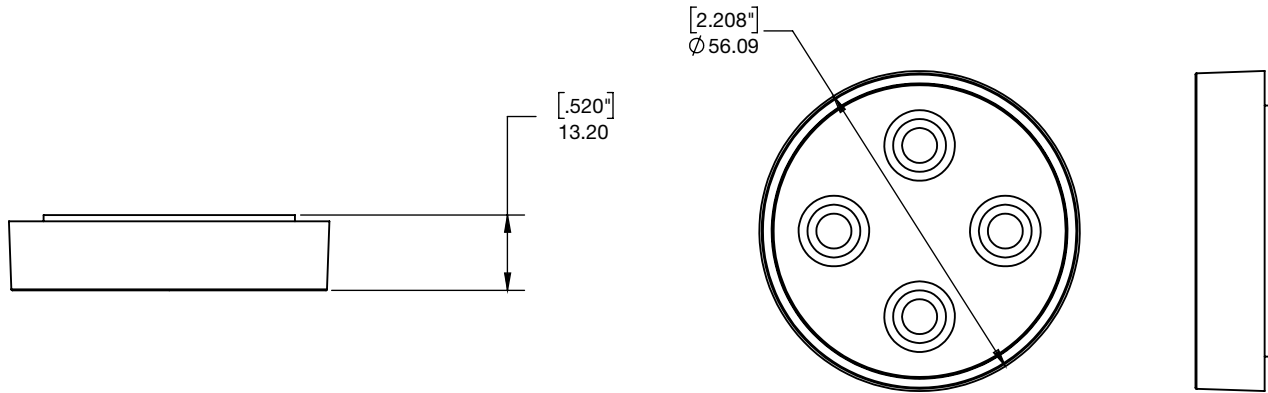


MAGNETIC SHROUD WITH ANGLED BASE (ZE1001):

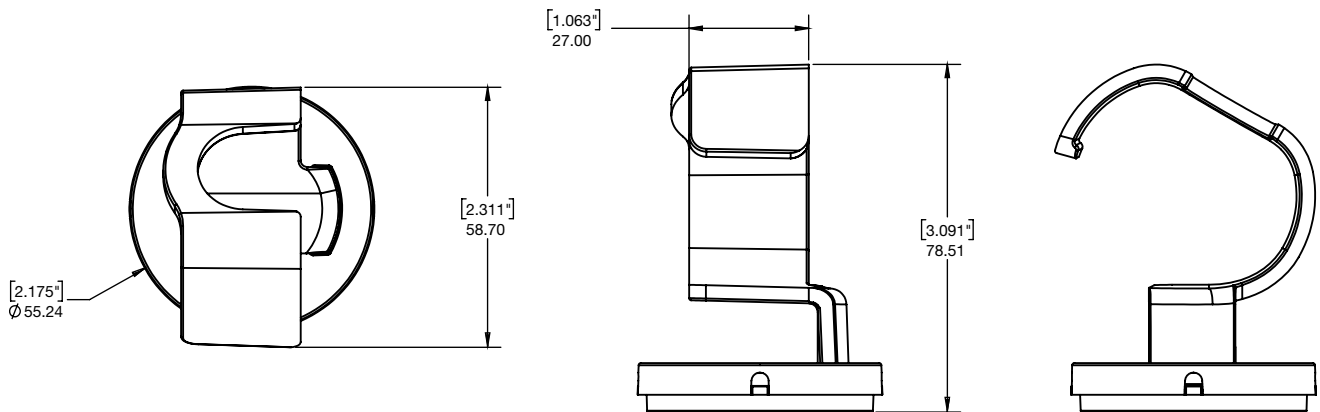


## SPECIFICATIONS

MAGNETIC SHORT STAND (ZE1002):

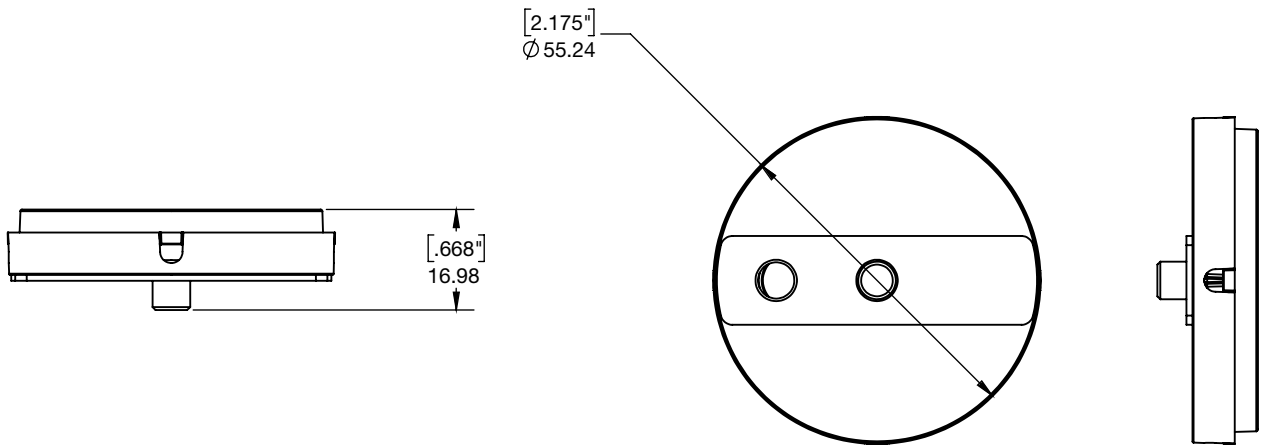


WEARABLE STAND (ZE1003):

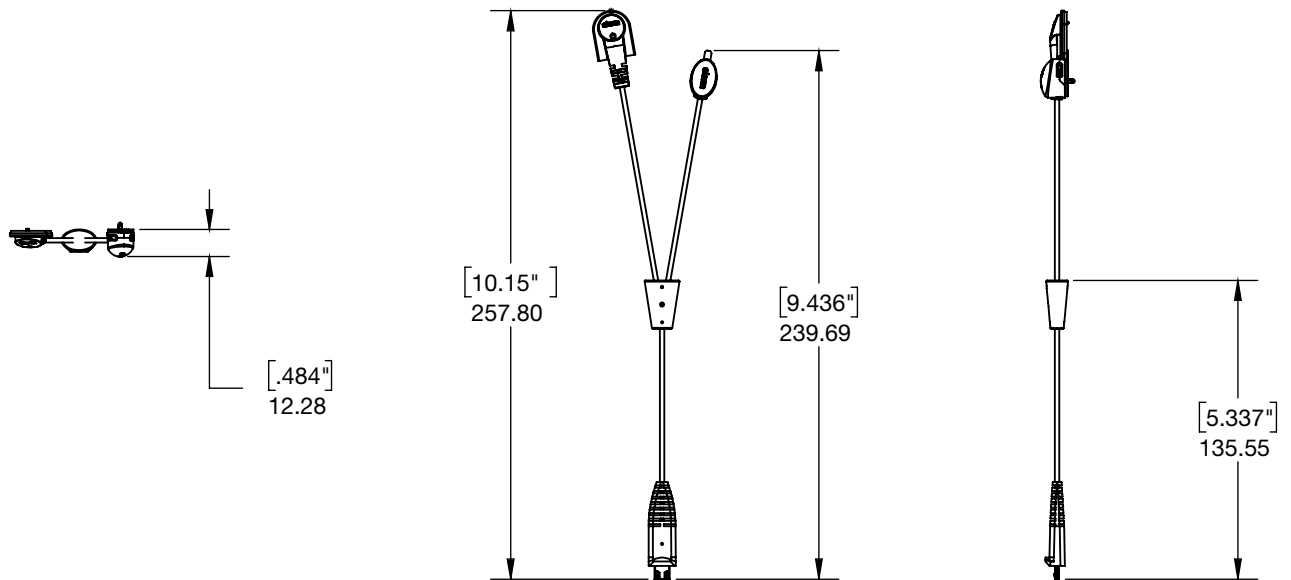


## SPECIFICATIONS

CAMERA PUCK (ZE1004):

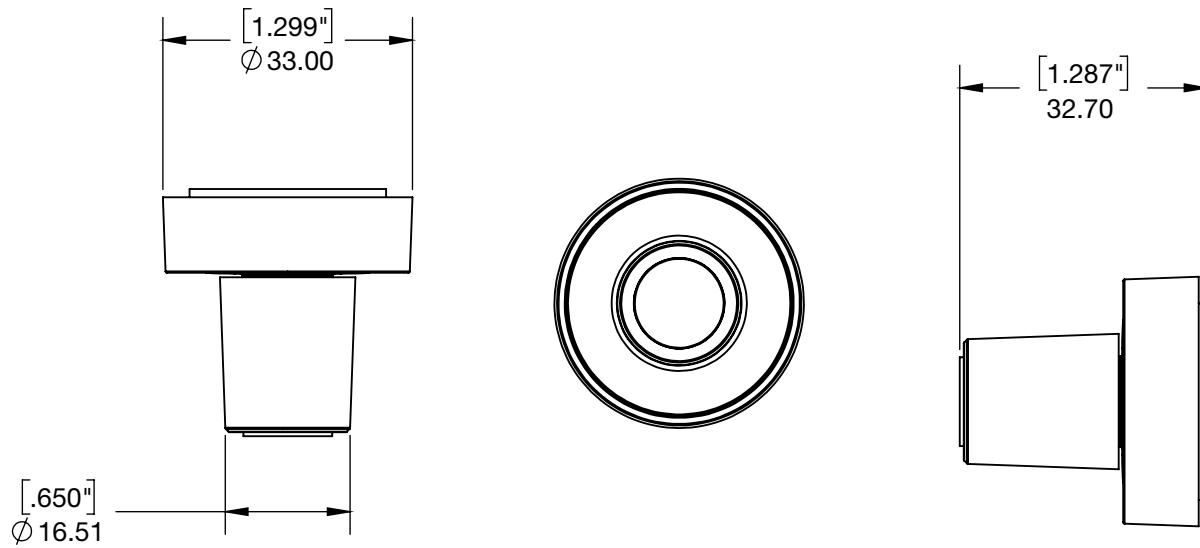


DUAL MINI-MICRO SENSOR (ZE1005):

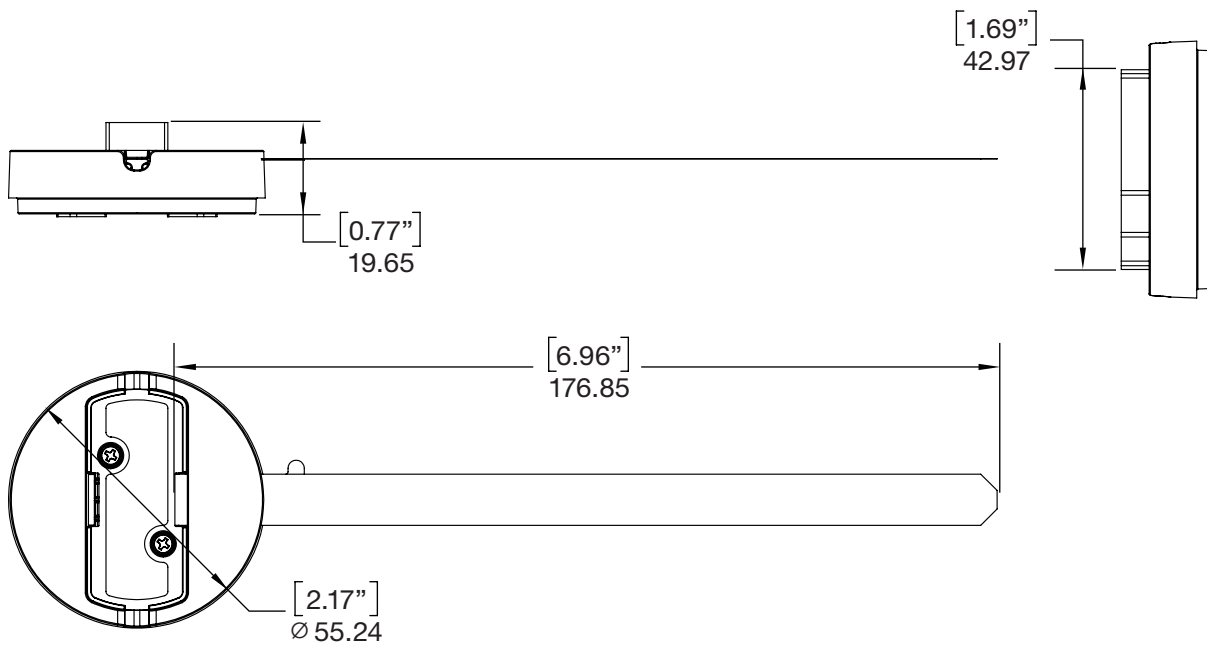


**SPECIFICATIONS**

CAMERA LENS SUPPORT (ZE1006):

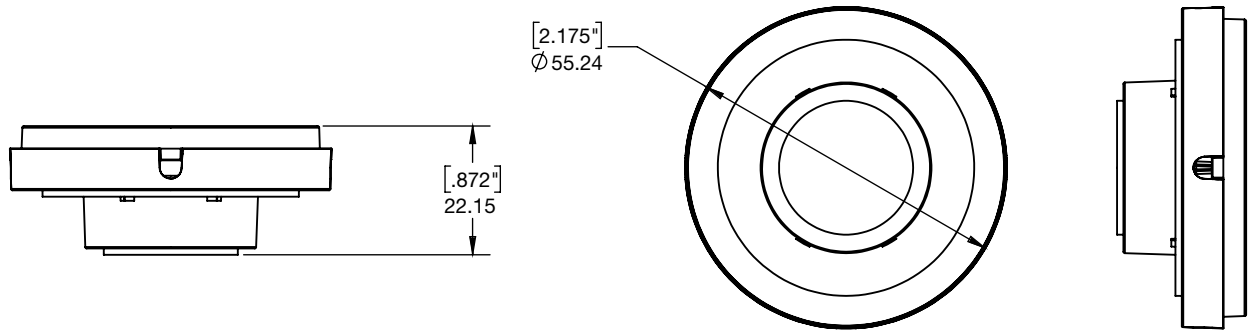


MAGNETIC PUCK FOR SHAVERS (ZE1011):

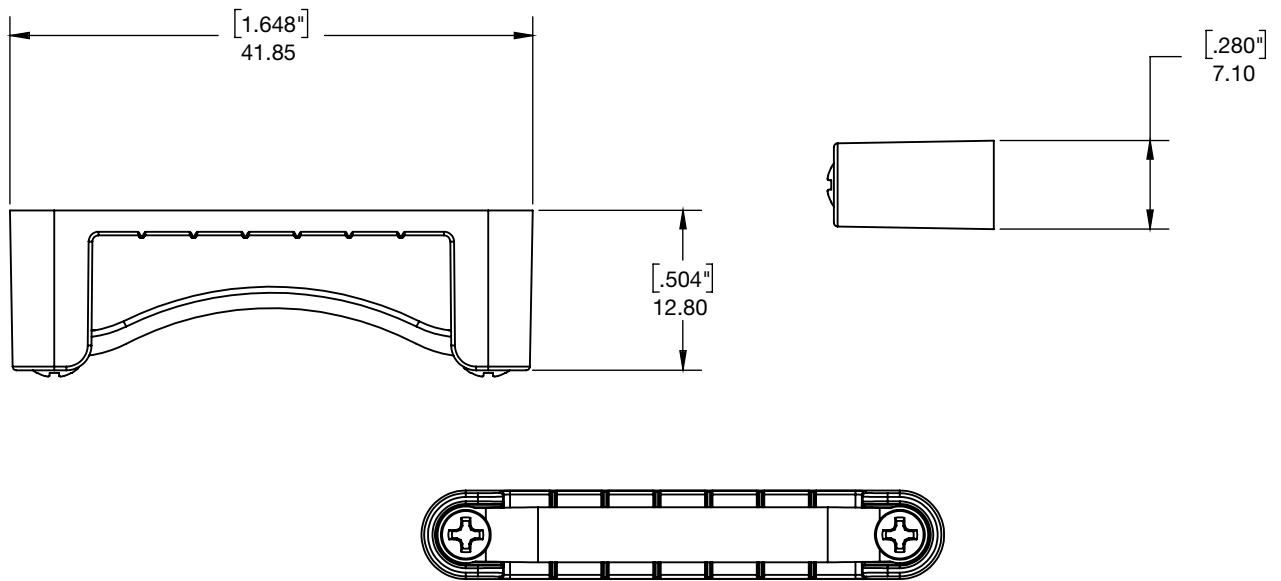


**SPECIFICATIONS**

GPS PUCK (ZE1008):



WEARABLE CLAMPS (ZE1009):



## PRODUCT ORDERING

ORDER CODE	DESCRIPTION	NOTES
ZB1000-W ZB1000-B	SINGLE PORT ALARM UNIT	Available in White or Black
ZE1000-W ZE1000-B	MAGNETIC SHROUD WITH FLAT BASE	Available in White or Black
ZE1001-W ZE1001-B	MAGNETIC SHROUD WITH ANGLED BASE	Available in White or Black
ZE1002-W ZE1002-B	MAGNETIC SHORT STAND	Available in White or Black
ZE1003-W ZE1003-B	WEARABLE STAND	Available in White or Black
ZE1004-W ZE1004-B	CAMERA PUCK	Available in White or Black
ZE1005-W ZE1005-B	DUAL MINI-MICRO SENSOR	Available in White or Black
ZE1006-W ZE1006-B	CAMERA LENS SUPPORT	Available in White or Black
ZE1011-W ZE1011-B	MAGNETIC PUCK FOR SHAVERS	Available in White or Black
ZE1008-W ZE1008-B	GPS PUCK	Available in White or Black
ZE1009	WEARABLE CLAMPS	
ADH2171	Adhesive Kit For Micro Plunger Sensor 8PK	QTY: 8
ADH2325	Adhesive Kit For Zips Magnetic Shroud w/ Flat Base 4PK	QTY: 4
ADH2326	Adhesive For Zips Magnetic Shroud w/ Angled Base 4PK	QTY: 4
ADH2327	Adhesive Kit For Zips Magnetic Short Stand & GPS Puck 4PK	QTY: 4
ADH2329	Rubber Pad For Zips Camera Puck 4PK	QTY: 4
ADH2330	Foam Pad For Zips Shaver Puck 4PK	QTY: 4
ADH2331	Adhesive Kit For Zips GPS Puck 4PK	QTY: 4

invue.com

©2022 InVue Security Products. No endorsement of InVue products has been made by any of the manufacturers of the products shown. Product is sold pursuant to InVue's warranty which can be found at [www.invue.com/warranty](http://www.invue.com/warranty).

**THE AMERICAS** 704.752.6513 • 888.55.INVUE  
**EUROPE, MIDDLE EAST & AFRICA** +31.23.8900150  
**ASIA PACIFIC** +852.3127.6811