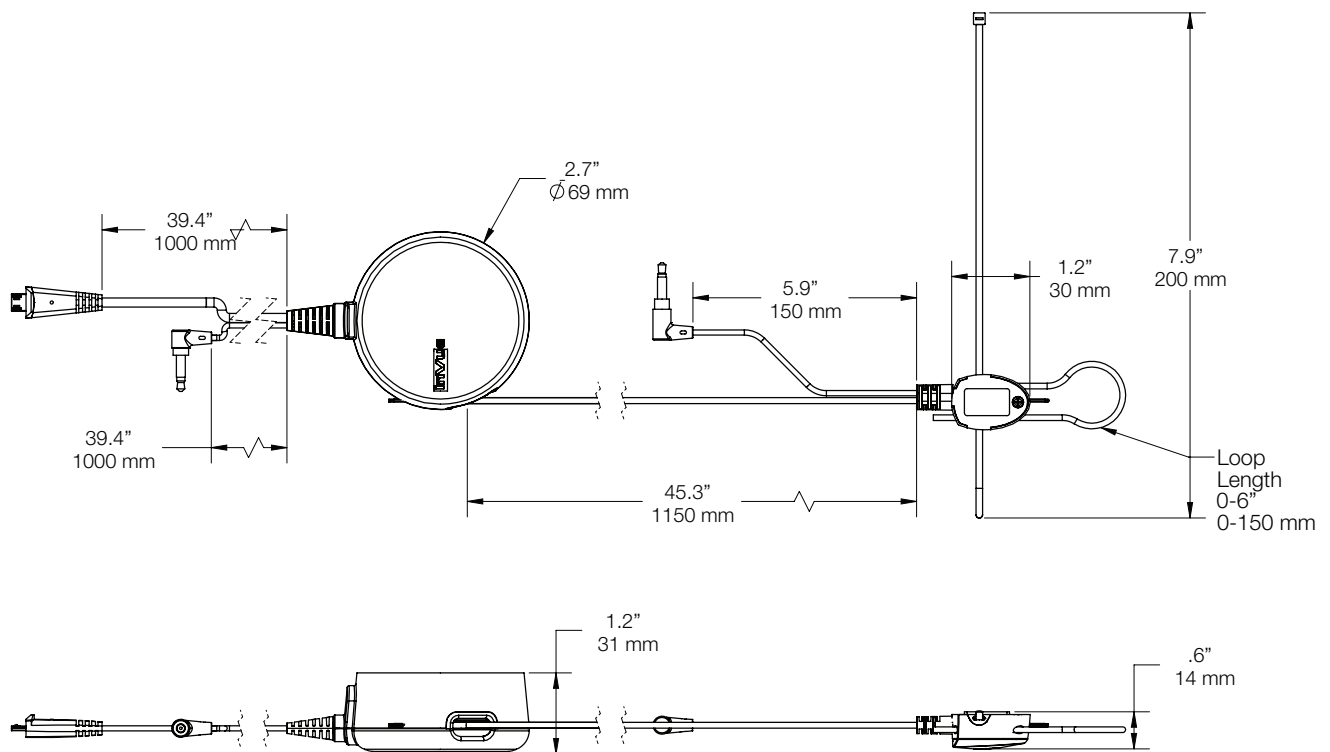


Zips Headphone Recoiler / Technical Specifications

SPECIFICATIONS

Zips Headphone Recoiler Audio Sensor 2.5mm Jack (ZB2012-B and ZB2012-W)

Zips Headphone Recoiler Audio Sensor 3.5mm Jack (ZB2015-B and ZB2015-W)



Zips Headphone Recoiler / Technical Specifications

PRODUCT ORDERING

ORDER CODE	DESCRIPTION	CARTON QTY.
ZB2012-W	Zips Headphone Recoiler Audio Sensor 2.5mm Jack - White	1
ZB2012-B	Zips Headphone Recoiler Audio Sensor 2.5mm Jack - Black	
ZB2015-W	Zips Headphone Recoiler Audio Sensor 3.5mm Jack - White	1
ZB2015-B	Zips Headphone Recoiler Audio Sensor 3.5mm Jack - Black	

invue.com

©2019 InVue Security Products. No endorsement of InVue products has been made by any of the manufacturers of the products shown. Product is sold pursuant to InVue's warranty which can be found at www.invue.com/warranty.

THE AMERICAS 704.752.6513 • 888.55.INVUE
EUROPE, MIDDLE EAST & AFRICA +31.23.8900150
ASIA PACIFIC +852.3127.6811

invue

rev. 01/07/19

