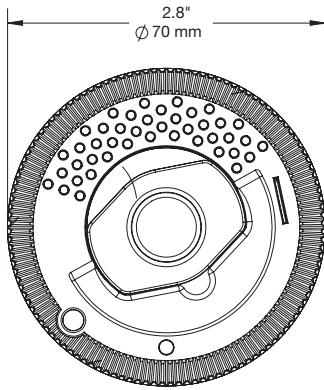
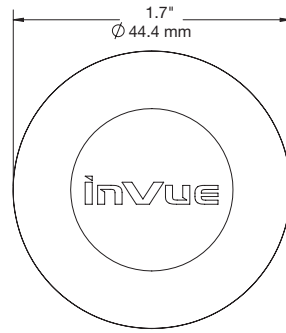
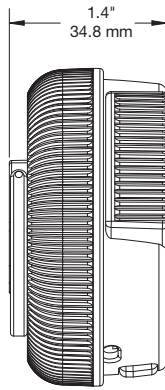


SPECIFICATIONS

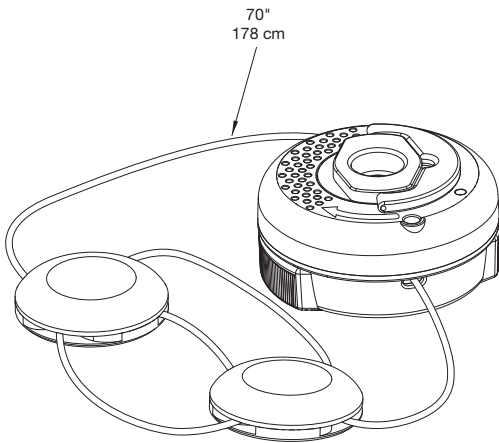
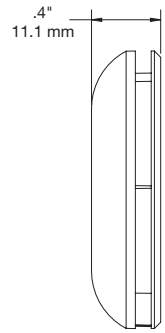
IR Package Wrap 70" (NW70):



Alarm Unit



Cable Medallion

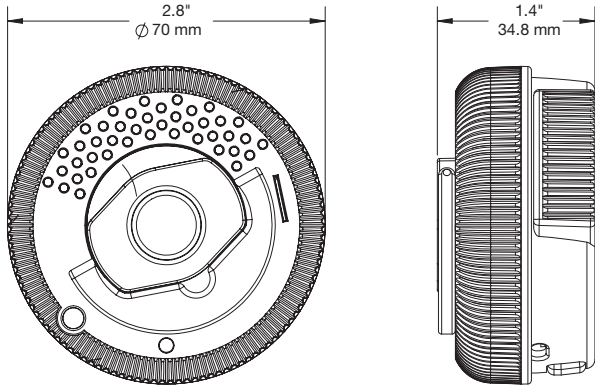


Alarm unit, cable medallion & cable

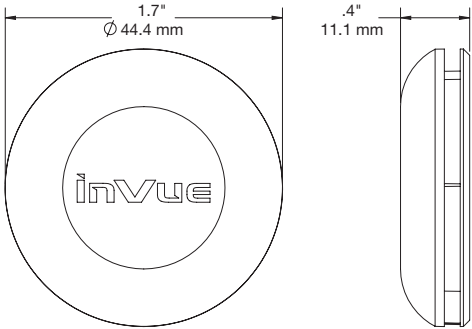


SPECIFICATIONS

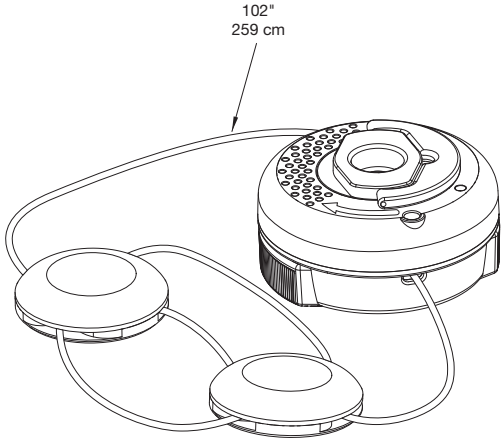
IR Package Wrap 102" (NW102):



Alarm Unit



Cable Medallion



Alarm unit, cable medallion & cable



PRODUCT ORDERING

ORDER CODE	DESCRIPTION	CARTON QTY.
NW70	IR Package Wrap 70"	12
NW102	IR Package Wrap 102"	12

invue.com

©2018 InVue Security Products. No endorsement of InVue products has been made by any of the manufacturers of the products shown. Product is sold pursuant to InVue's warranty which can be found at www.invue.com/warranty.

THE AMERICAS 704.752.6513 • 888.55.INVUE
EUROPE, MIDDLE EAST & AFRICA +31.23.8900150
ASIA PACIFIC +852.3127.6811

