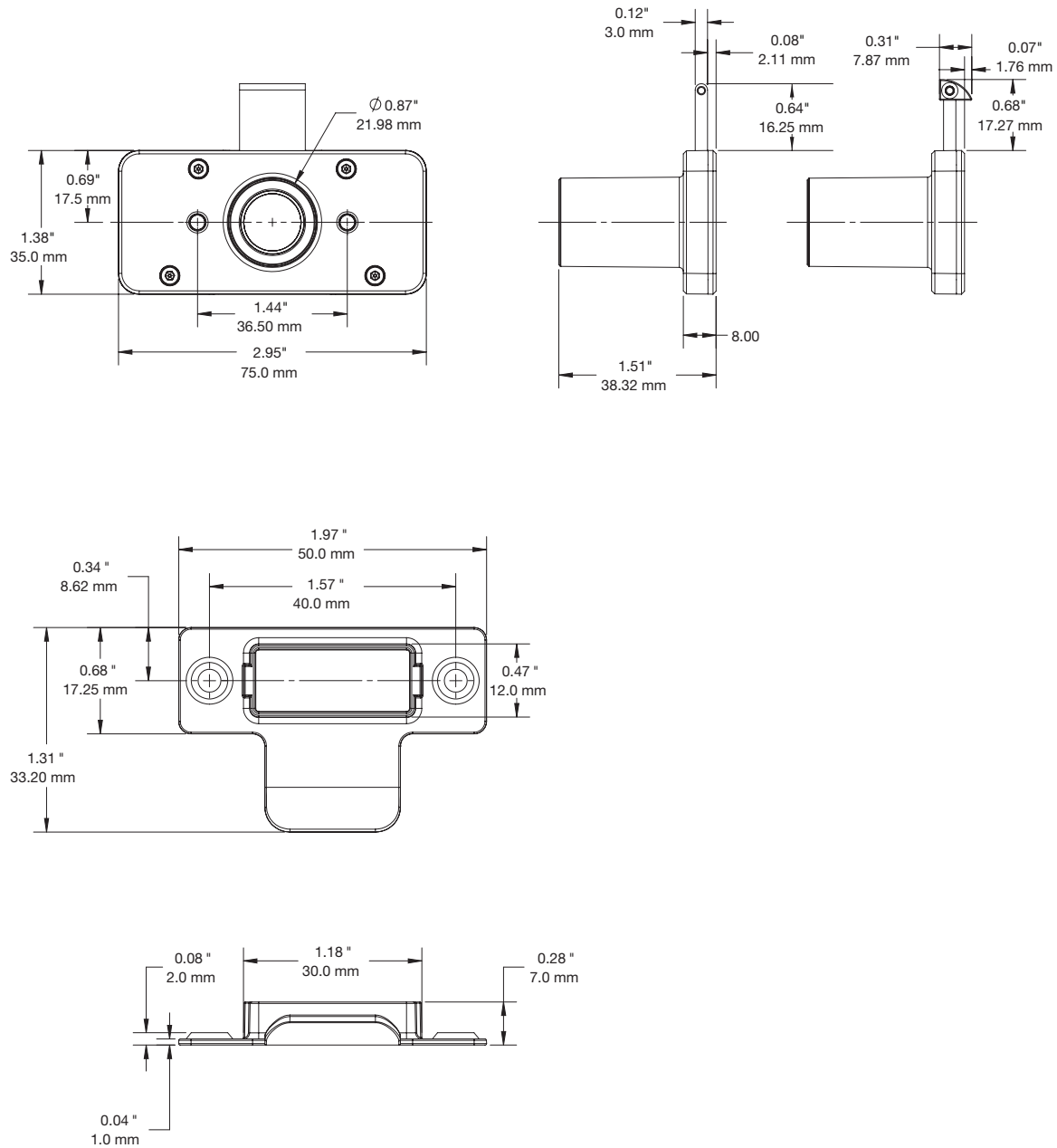


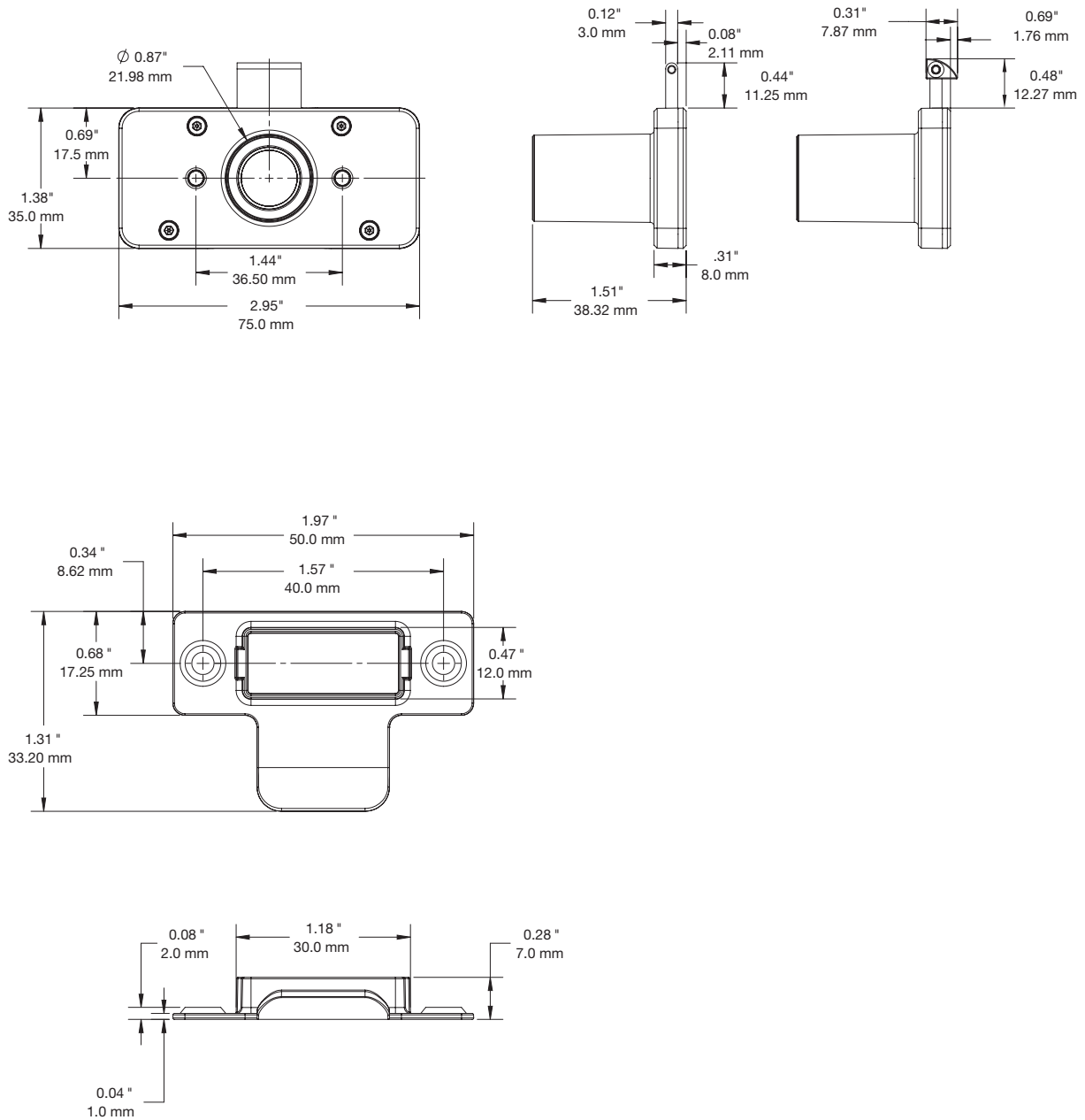
## SPECIFICATIONS

L430, Long Latch (PL701):



**SPECIFICATIONS**

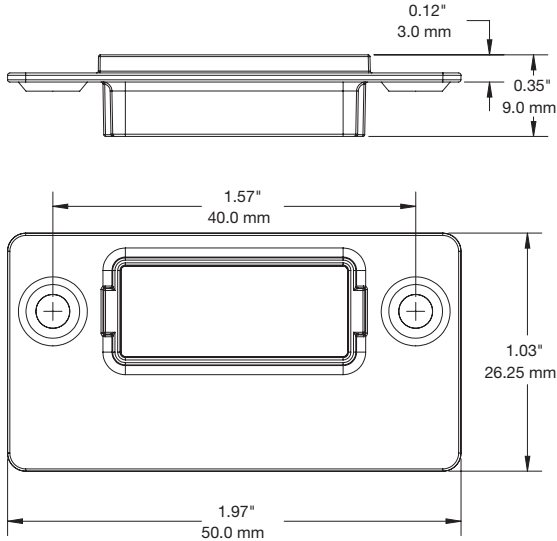
L430, Short Latch (PL702):



**SPECIFICATIONS**

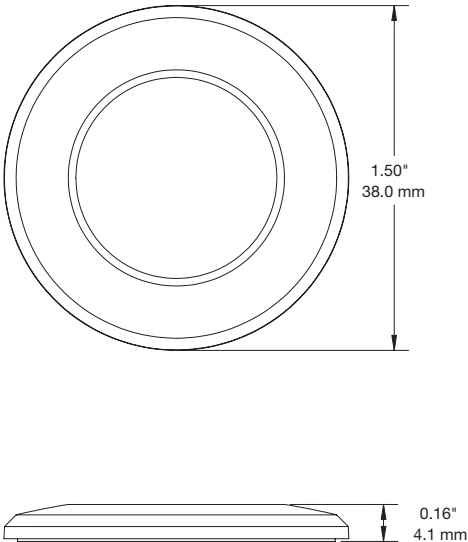
**Flat Strike Plate for L430 (PL720-2):**

(This optional strike plate is used for installations that require there to be no visible latch ramp when cabinet or drawer is closed.)



**Trim Ring for L430 (PL741):**

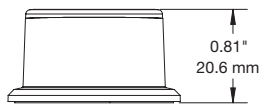
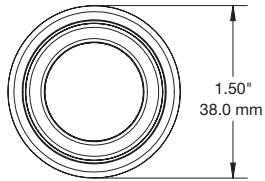
(This optional cosmetic ring is used to conceal any gap that may exist when replacing a 28mm diameter lock with the L430, which has a smaller diameter.)



## SPECIFICATIONS

Bumper for L430 (PL742):

(This optional part provides protection to both the L430 and furniture in cases where the cabinet may swing open and make contact with another surface. The bumper features a rubber tip, and a chrome finish that matches the look of the L430 Smart Lock.)



## PRODUCT ORDERING

ORDER CODE	DESCRIPTION	CARTON QTY.
PL701	L430 – Long Latch	25
PL702	L430 – Short Latch	25
PL720-2	Flat Strike Plate for L430 (5 pack)	25
PL741	Trim Ring for L430 (5 pack)	25
PL742	Bumper for L430 (5 pack)	25
PL743	Adapter Kit for PL702 (drawing not shown)	25

[invue.com](http://invue.com)

©2018 InVue Security Products. No endorsement of InVue products has been made by any of the manufacturers of the products shown. Product is sold pursuant to InVue's warranty which can be found at [www.invue.com/warranty](http://www.invue.com/warranty).

**THE AMERICAS** 704.752.6513 • 888.55.INVUE  
**EUROPE, MIDDLE EAST & AFRICA** +31.23.8900150  
**ASIA PACIFIC** +852.3127.6811

