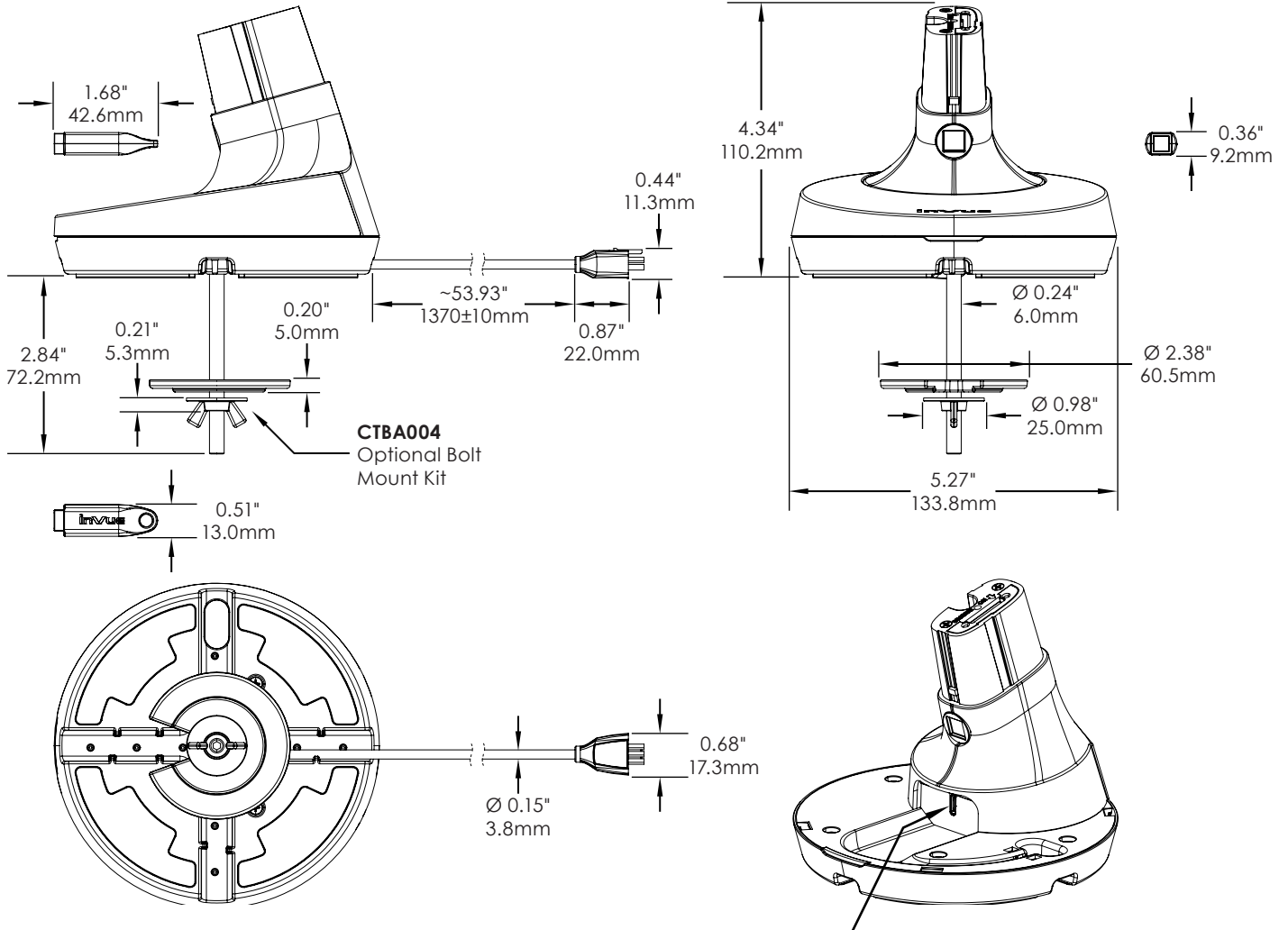


## SPECIFICATIONS

NE150 BASE (CT1500):



**USB-C Port Specifications**

Mechanical Restrictions

- Cable Diameter ≤ 5.5mm
- USB-C Connector Size
- Length ≤ 25mm
- Width ≤ 12mm

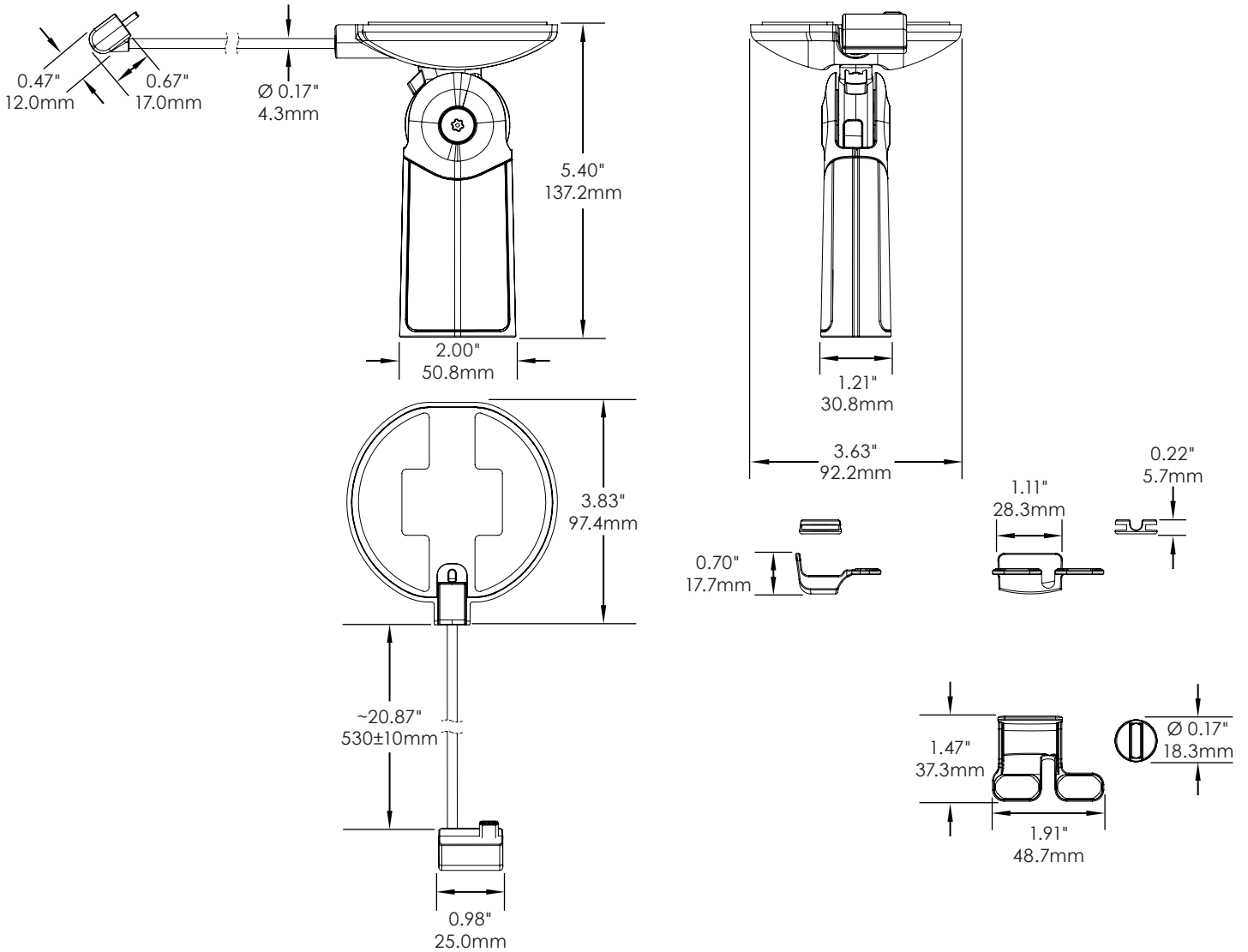
Electrical Requirements

- USB 3.0 or below. Max speed = 5Gps
- DP1.1a (2.7Gps per lane)
- Max Supported Video Resolution: 1920 x 1080, 60Hz
- Voltage/Current 5V/2A



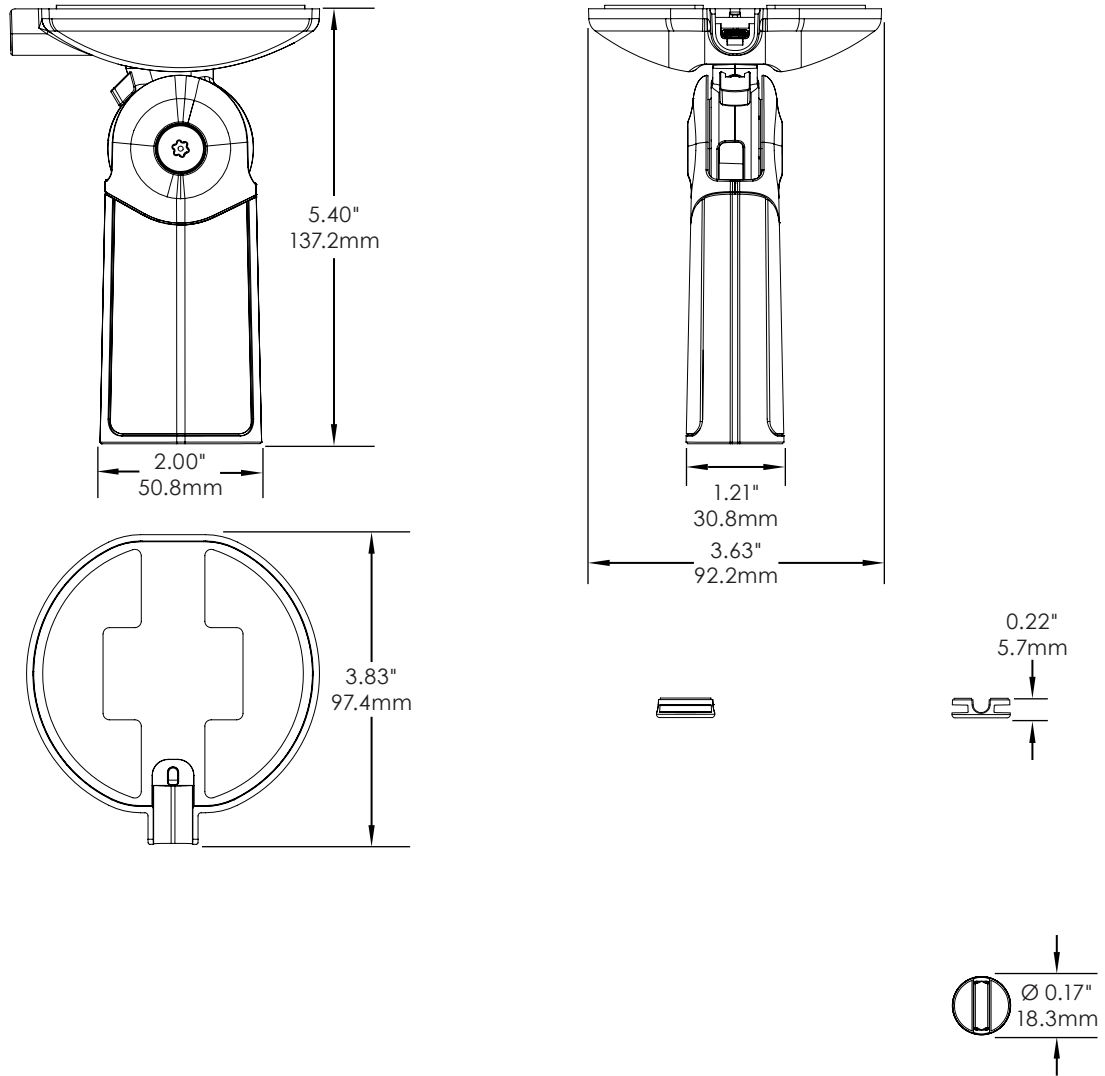
**SPECIFICATIONS**

NE150 USB-C HANDLE (CT1502):



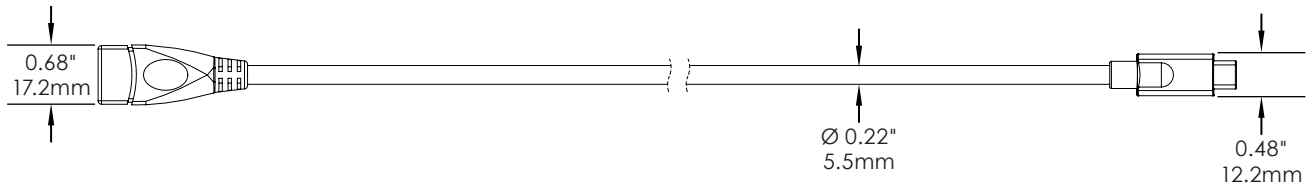
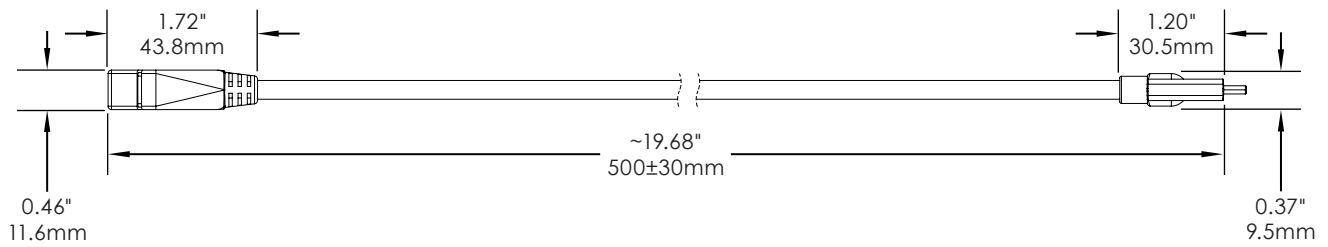
**SPECIFICATIONS**

NE150 APPLE LIGHTNING HANDLE, HOST (CT1503):



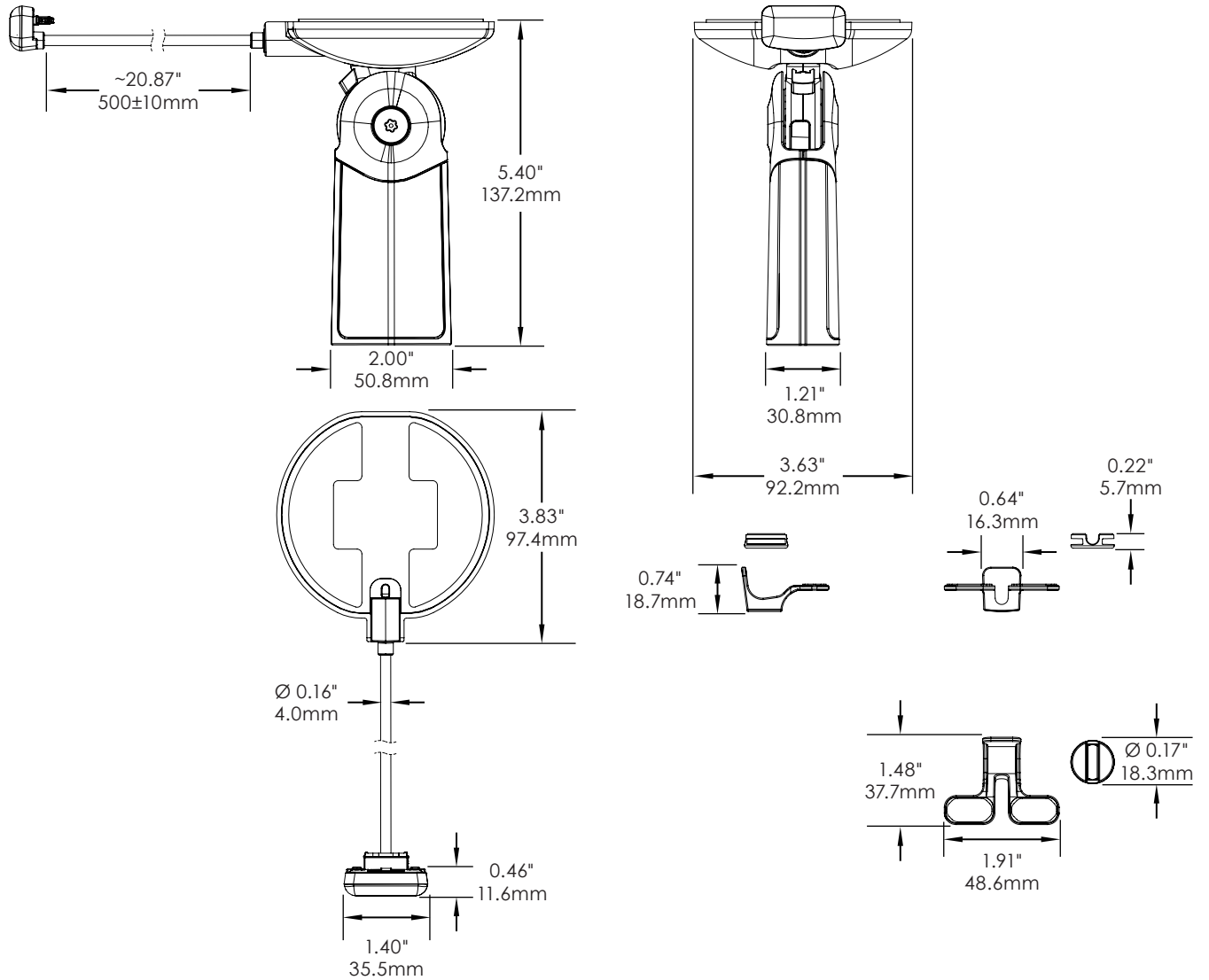
**SPECIFICATIONS**

NE150 USB-C TO USB-A CABLE (CT1505):



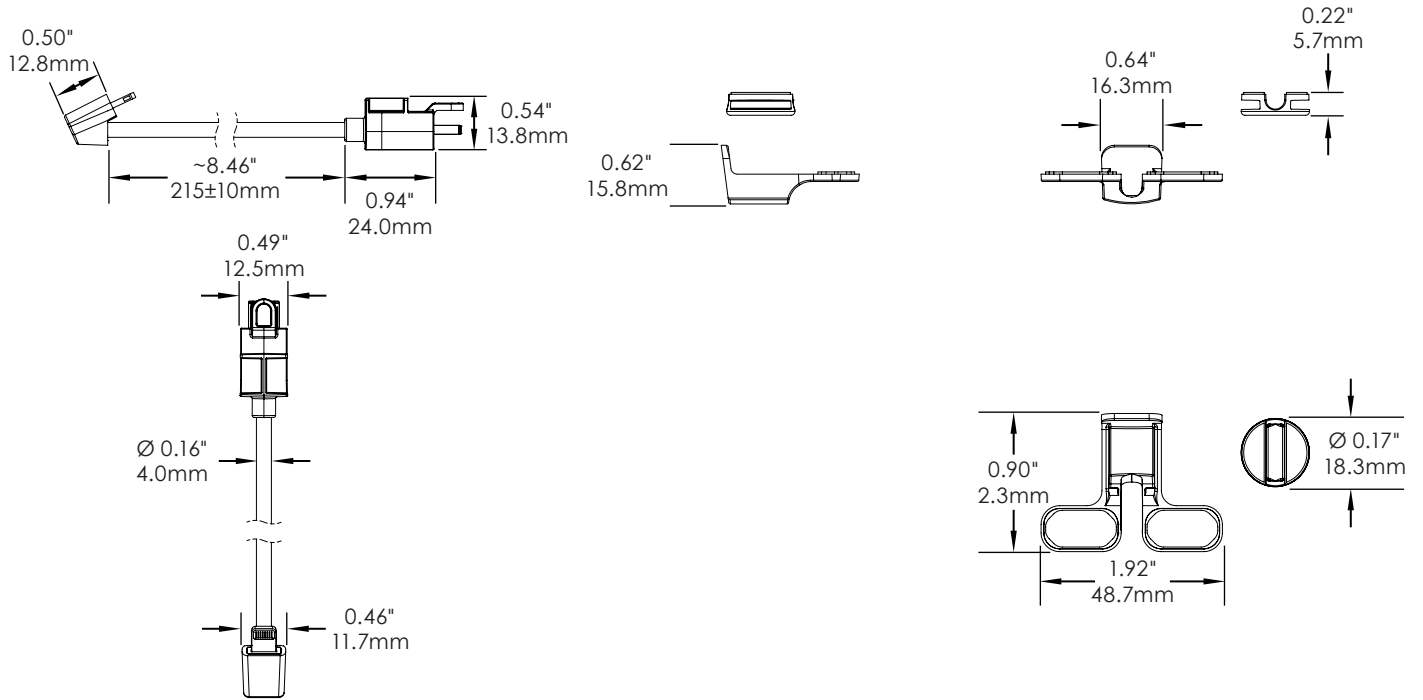
**SPECIFICATIONS**

NE150 ZEBRA ET51 & ET56 HANDLE (CT1506):

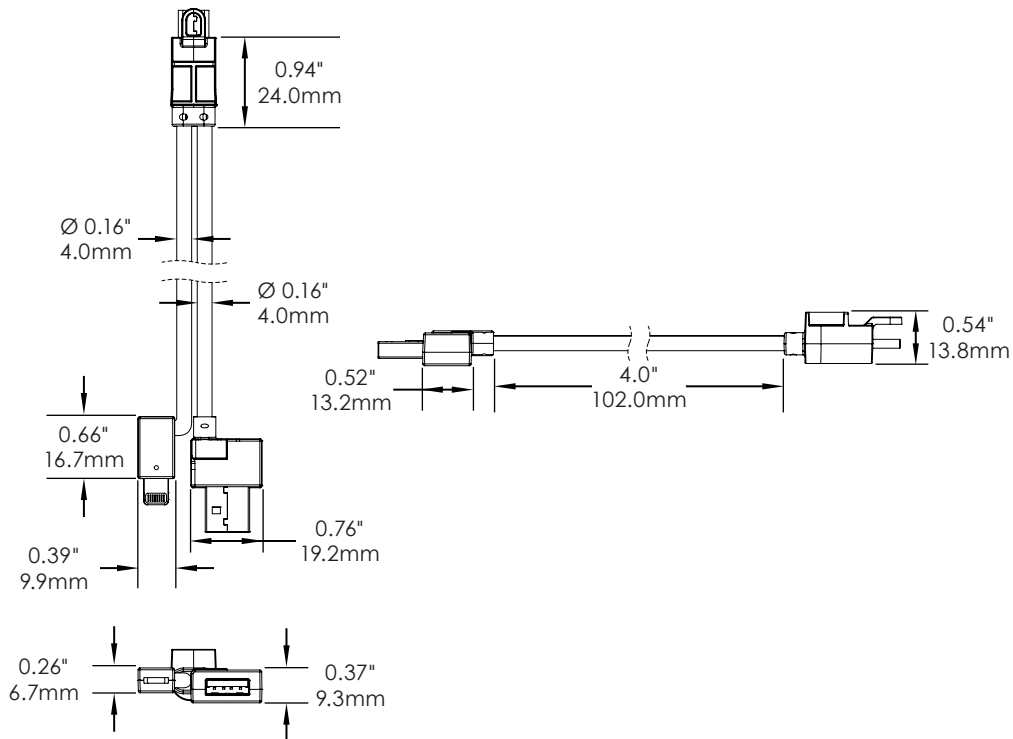


**SPECIFICATIONS**

NE360C/NE150 APPLE LIGHTNING CABLE - CHARGE ONLY (CT3012):

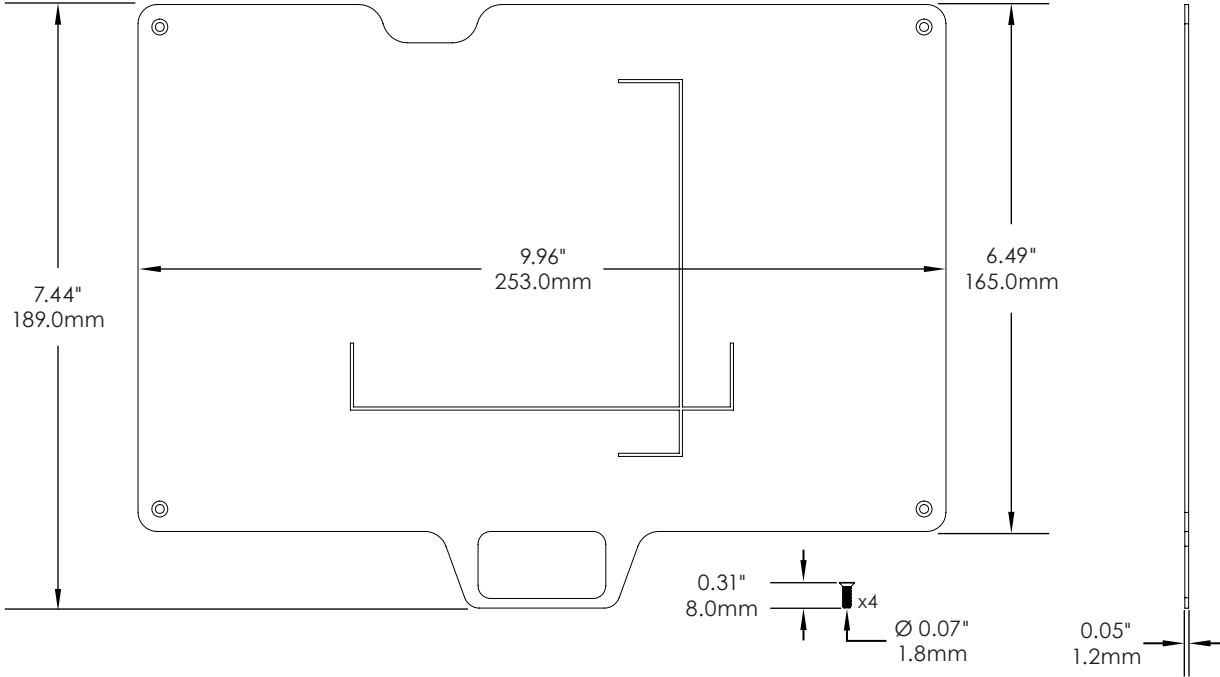


NE360C/NE150 APPLE LIGHTNING CHARGE & DATA CABLE (CT3112):



**SPECIFICATIONS**

NE360C/NE150 ZEBRA ET51/56 BACKPLATE (CT3082):



## PRODUCT ORDERING

ORDER CODE	DESCRIPTION	NOTES
<b>NE150 System Components</b>		
CT1500	NE150 Base	Includes Non-Slip and Adhesive Mount Options & Magnet Key
CT1502	NE150 USB-C Handle	Includes Cable Guide & Protective Cap
CT1503	NE150 Apple Lightning Tablet HOST Handle	Includes Cable Guide & Protective Cap Requires CT3012 (Charge Only) or CT3112 (Charge & Data)
CT1505	USB-C to USB-A Cable, 500mm	
CT1506	NE150 Zebra ET51/56 Handle	Includes Cable Guide & Protective Cap
CT3012	NE360C/NE150 Apple Lightning CHARGE ONLY Cable	Charge Only - For Use with CT1503
CT3112	NE360C/NE150 Apple Lightning Charge & Data Cable	Charge & Data - For Use with CT1503
<b>NE150 Accessories &amp; Power Supplies</b>		
CT1507	NE150 Tablet & Base Adhesive Mount Removal Tool	
CT1509	NE150 Handle Replacement Adhesives	8 Pieces
CT1510	NE150 Replacement Base Non-Slip Pads	16 Pieces
CT1511	NE150 Replacement Base Adhesives	16 Pieces
CTBA004	Optional Bolt Mount Kit	
CT3082	Zebra ET51/56 Backplate	Required If Using CT1506 without a 3rd Party Case
DBG400	Magnet Keys	4 Pieces
DBG406	Magnet Key	1 Piece
HC7430	Optional Low Surface Energy Adhesives	5 Pieces
PS566-AUS	Output 24VDC/2A; Input 110/240VAC 50/60 Hz Power Supply	Australia Line Cord
PS566-EU	Output 24VDC/2A; Input 110/240VAC 50/60 Hz Power Supply	EU Cord
PS566-JPN	Output 24VDC/2A; Input 110/240VAC 50/60 Hz Power Supply	Japan Line Cord
PS566-UK	Output 24VDC/2A; Input 110/240VAC 50/60 Hz Power Supply	UK Line Cord
PS566-US	Output 24VDC/2A; Input 110/240VAC 50/60 Hz Power Supply	US Line Cord

invue.com

©2023 InVue Security Products. No endorsement of InVue products has been made by any of the manufacturers of the products shown. Product is sold pursuant to InVue's warranty which can be found at [www.invue.com/warranty](http://www.invue.com/warranty).

**THE AMERICAS** 704.752.6513 • 888.55.INVUE

**EUROPE, MIDDLE EAST & AFRICA** +31.23.8900150

**ASIA PACIFIC** +852.3127.6811