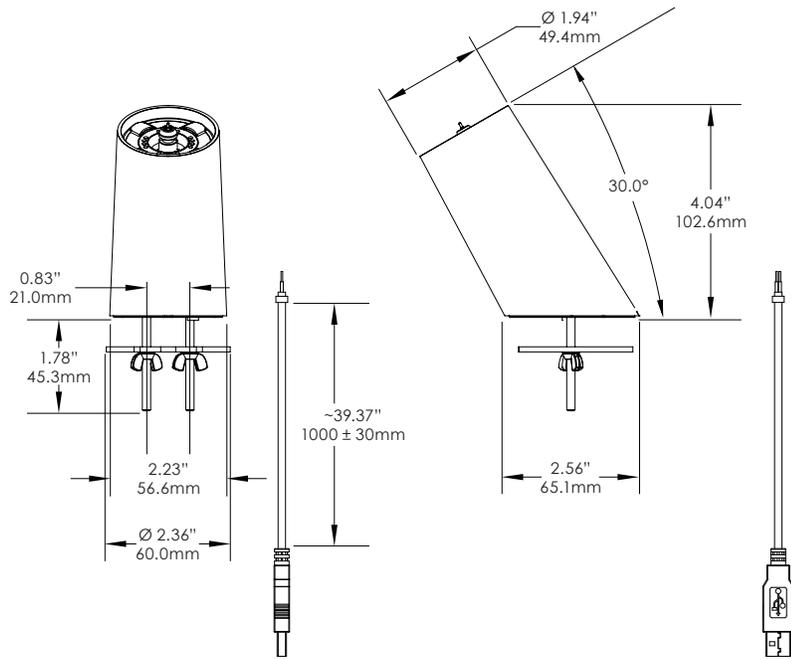
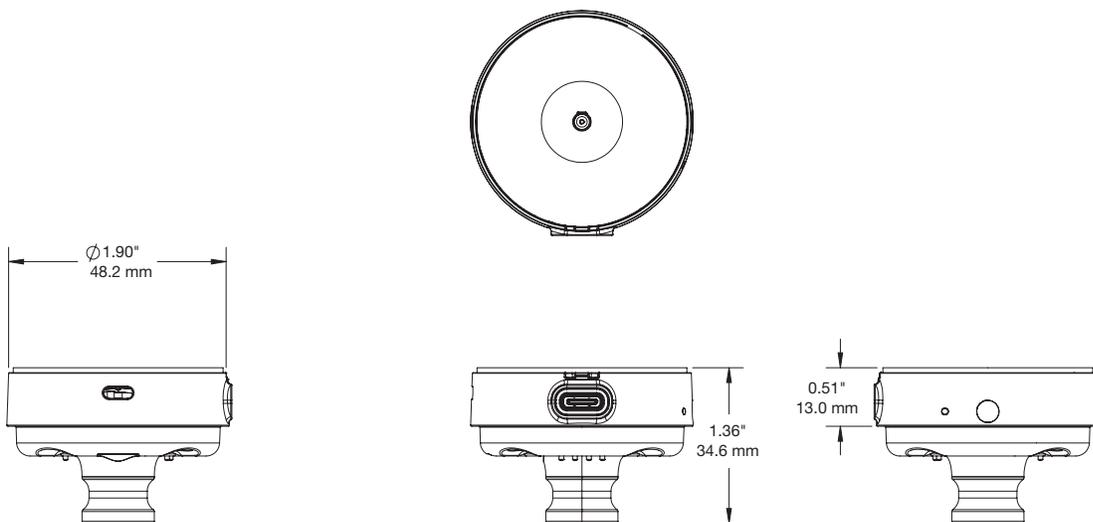


One60 Auto Lock Stand (DLD160):



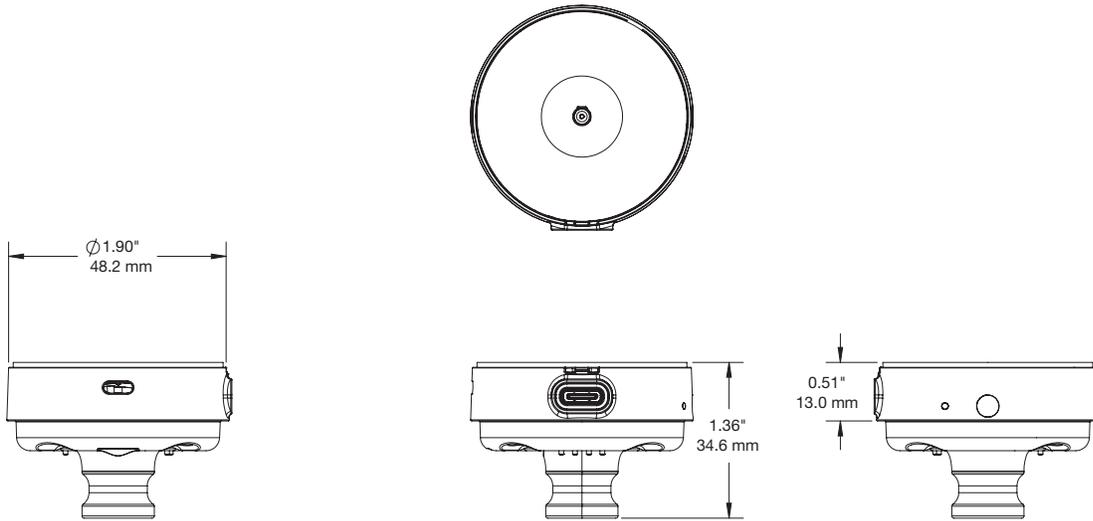
SPECIFICATIONS

LIVE OnePOD Sensor (DLD200):

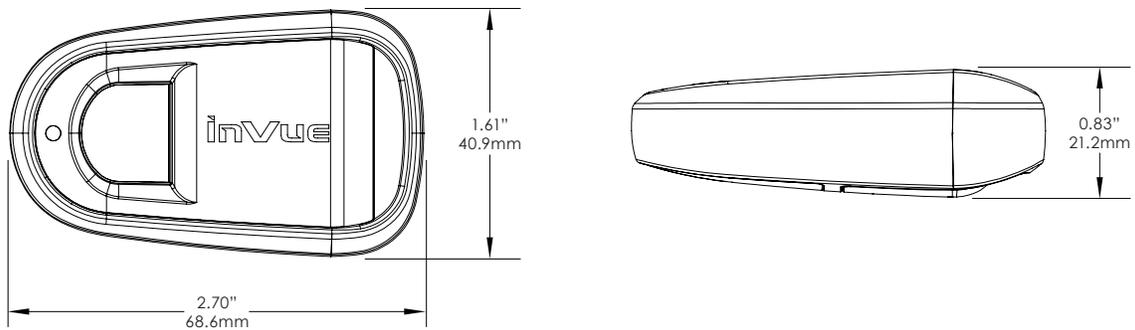


SPECIFICATIONS

LIVE One60 Sensor (DLD210):

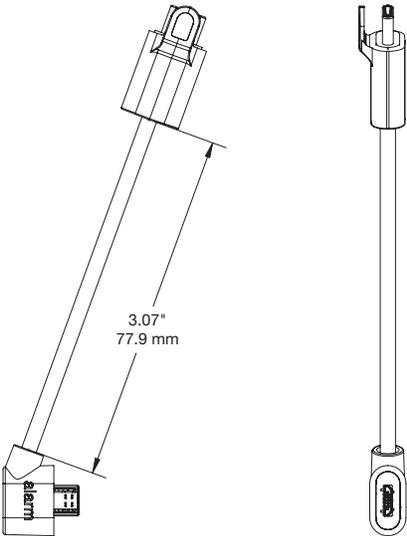


LIVE Panic Button (DLD220):

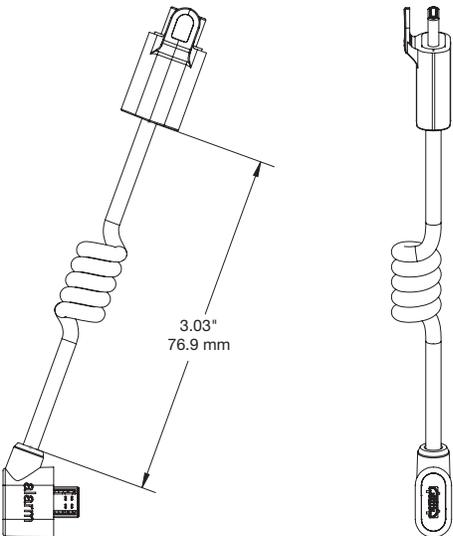


SPECIFICATIONS

One55/One65/One60 HH USB Micro Power Connector (DBH500):

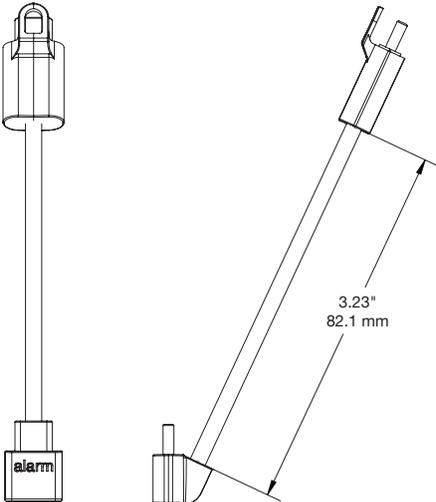


One55/One65/One60 Tablet USB Micro Power Connector (DBT500):

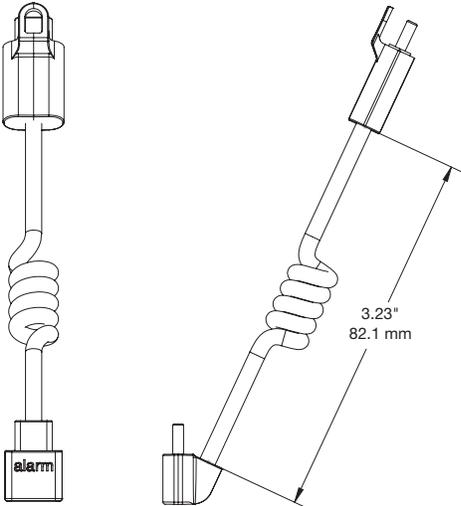


SPECIFICATIONS

One55/One65/One60 HH USB Type C Power Connector (DBH501):

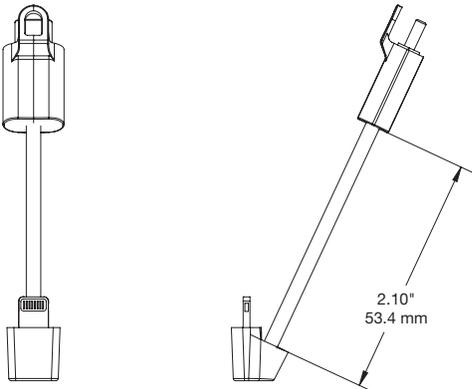


One55/One65/One60 Tablet USB Type C Power Connector (DBT501):

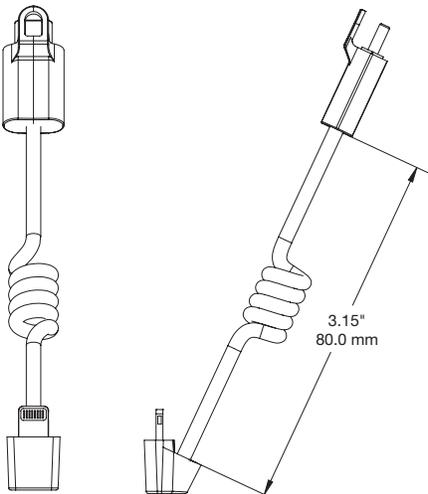


SPECIFICATIONS

One55/One65/One60 HH Lightning Power Connector (DBH502):

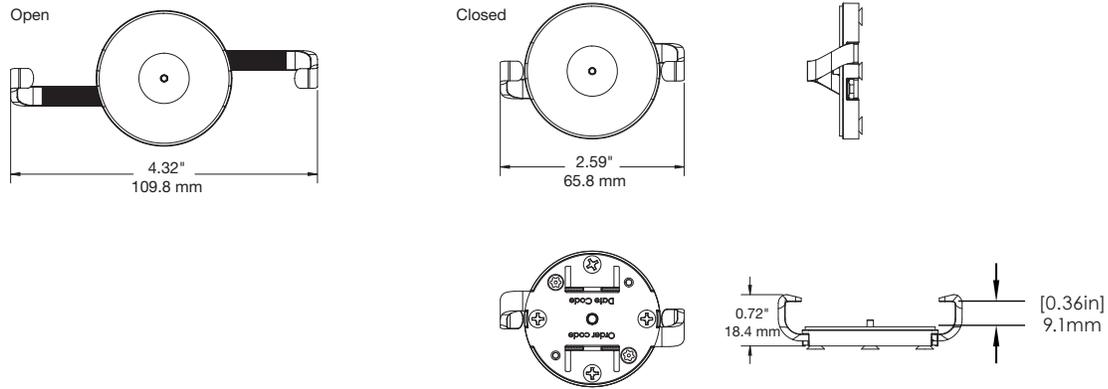


One55/One65/One60 Tablet Lightning PowerConnector (DBT502):

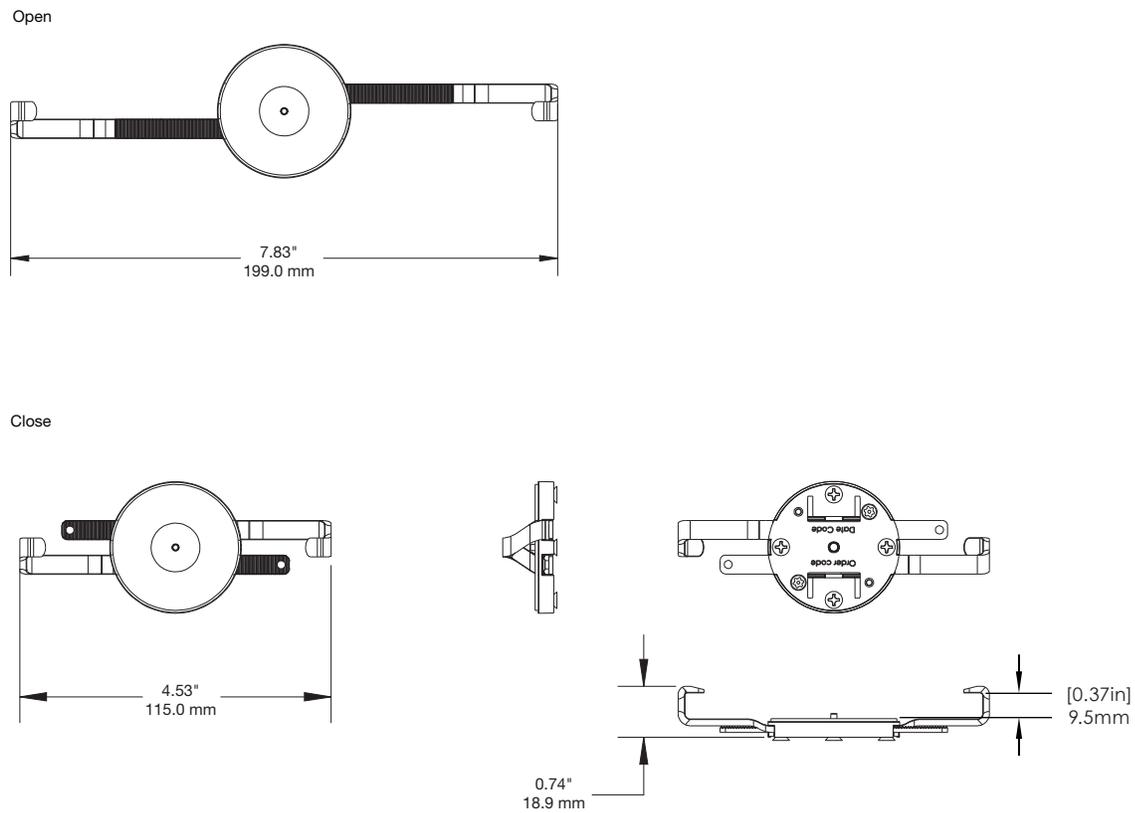


SPECIFICATIONS

One55/One65/One60 2 Arm Bracket Plate with HH brackets (DBH282):

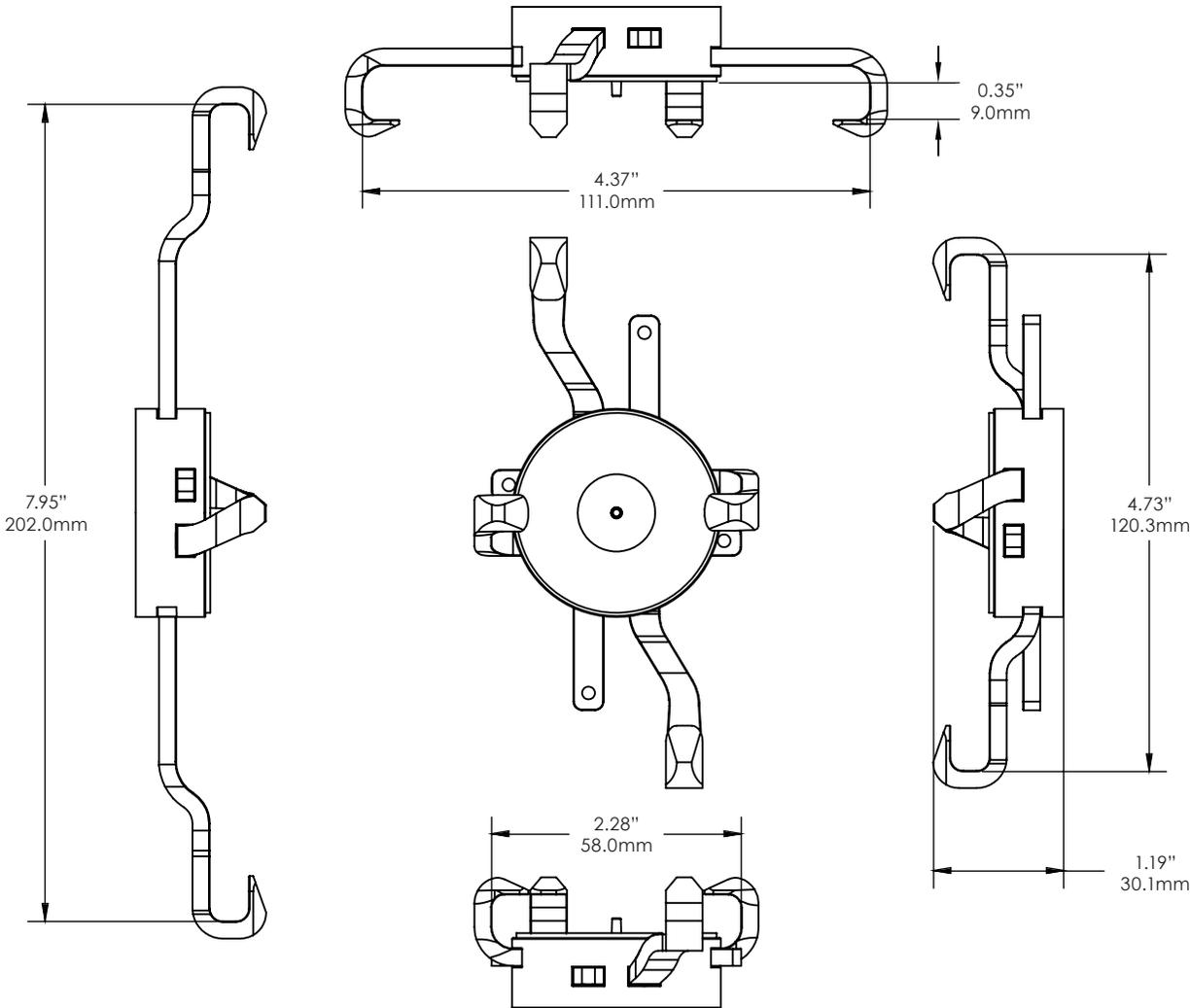


One55/One65/One60 2 Arm Bracket Plate with tablet brackets (DBT282):

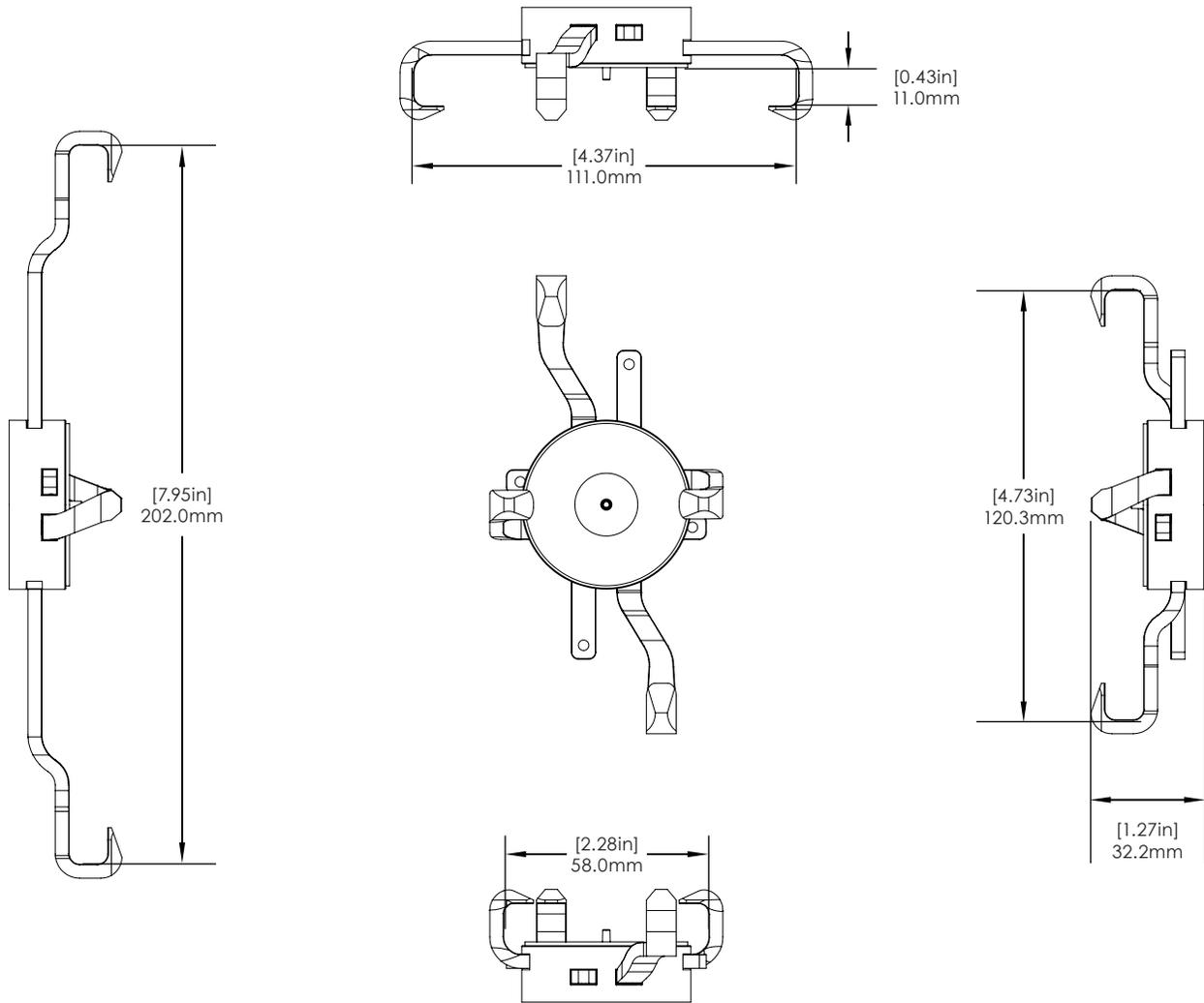


SPECIFICATIONS

OnePOD 4-way HH Bracket Arms and Plate (DBH298):

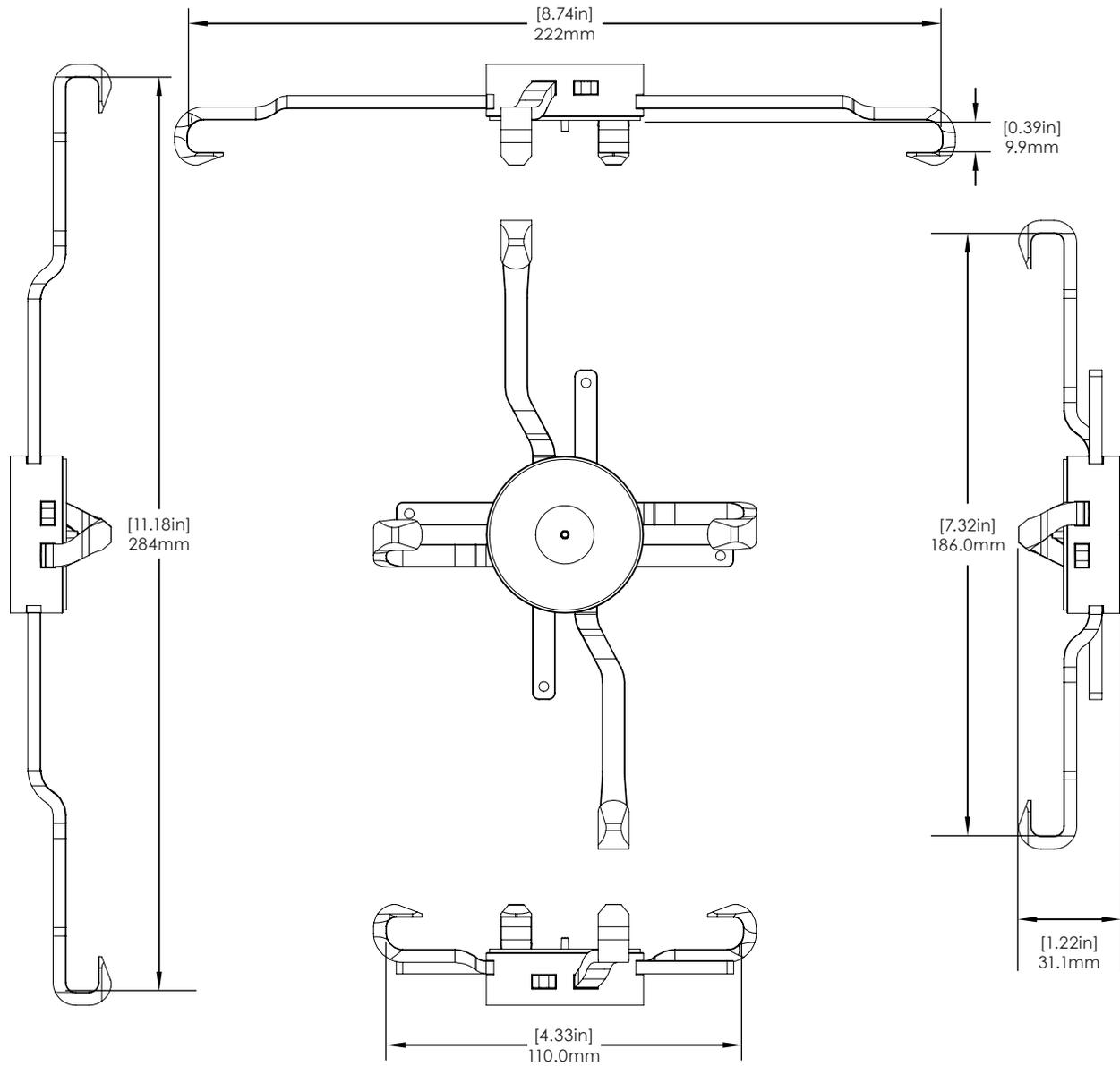


OnePOD 4-way HH Bracket Arms and Plate for 11mm Devices (DBH301):



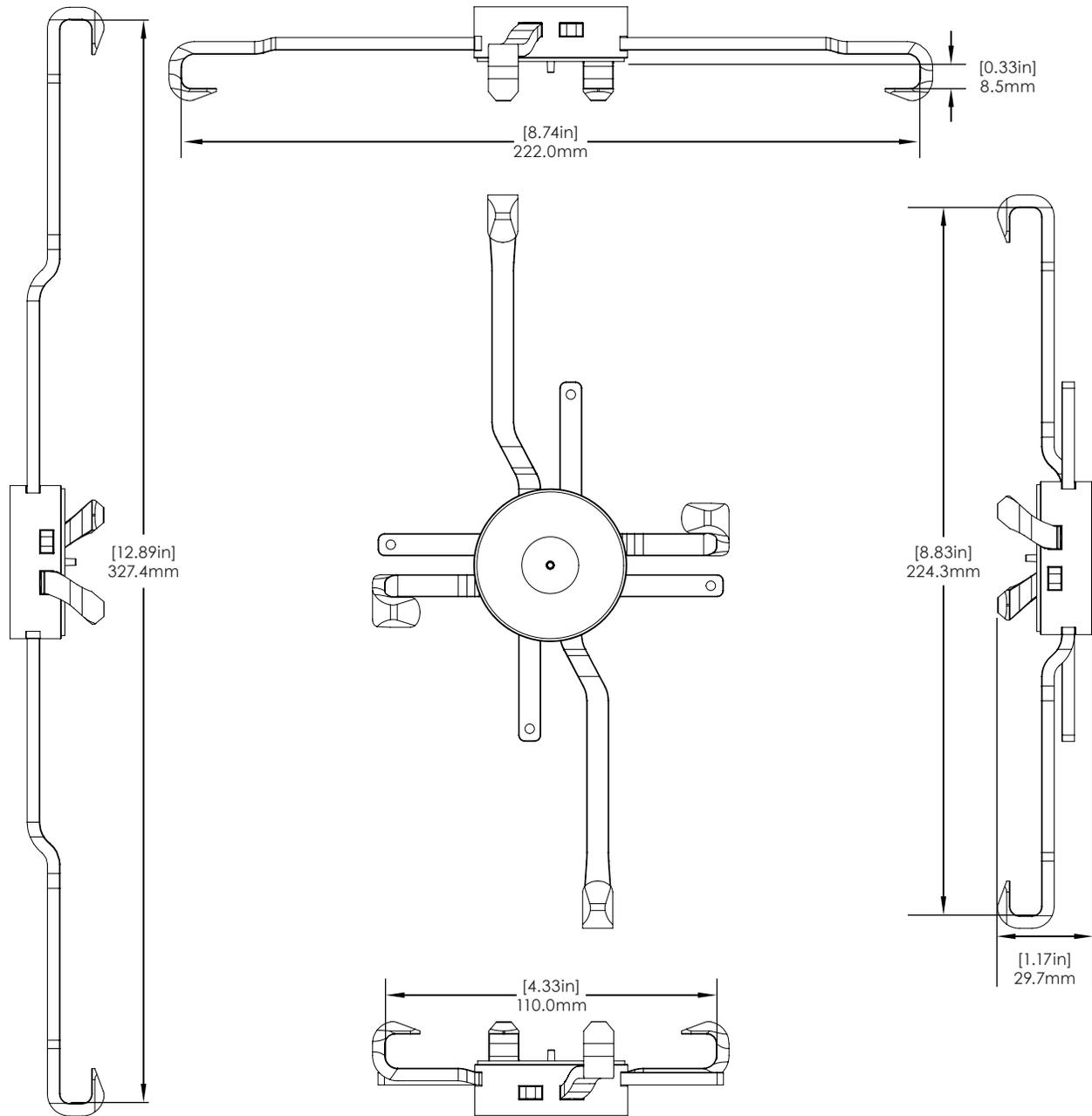
SPECIFICATIONS

OnePOD 4-way Tablet Bracket Arms and Plate (DBT298):



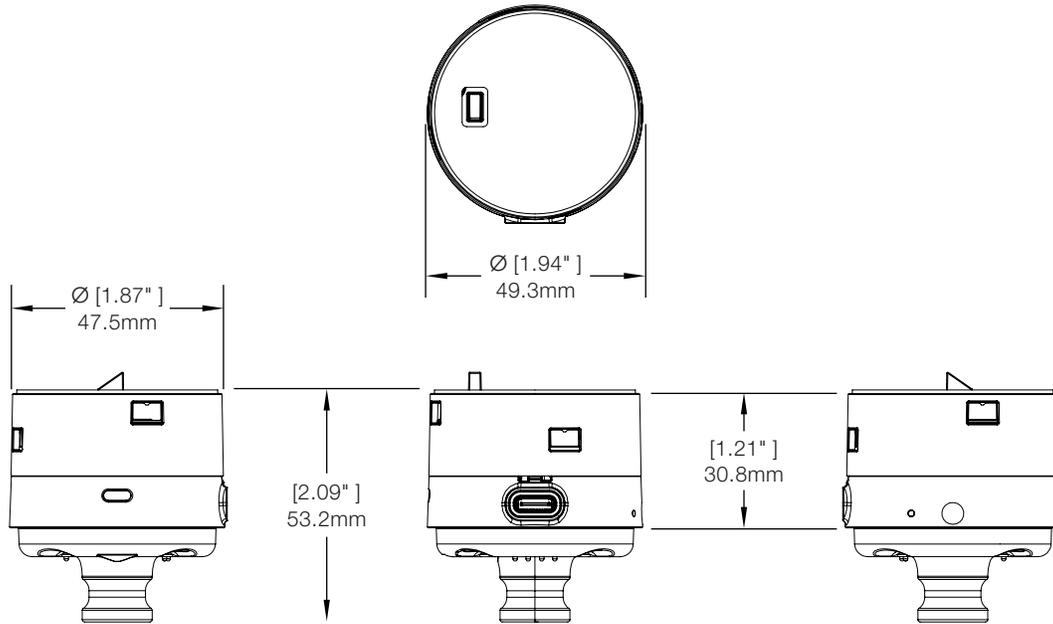
SPECIFICATIONS

OnePOD 4-way Large Tablet Bracket Arms and Plate (DBT299):

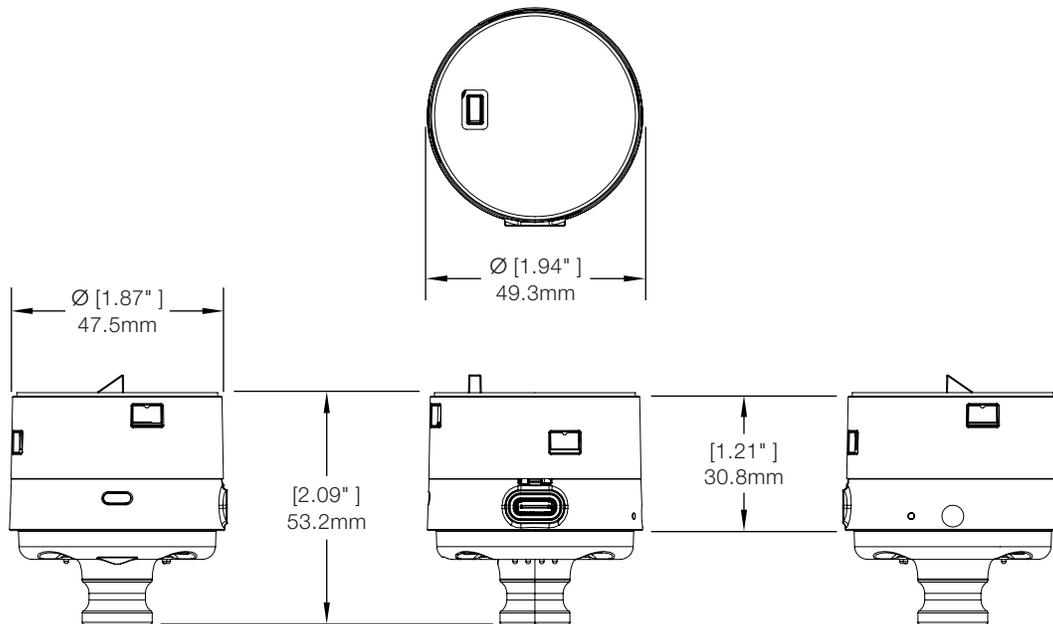


SPECIFICATIONS

LIVE OnePOD Quick Release Sensor (DLD201):

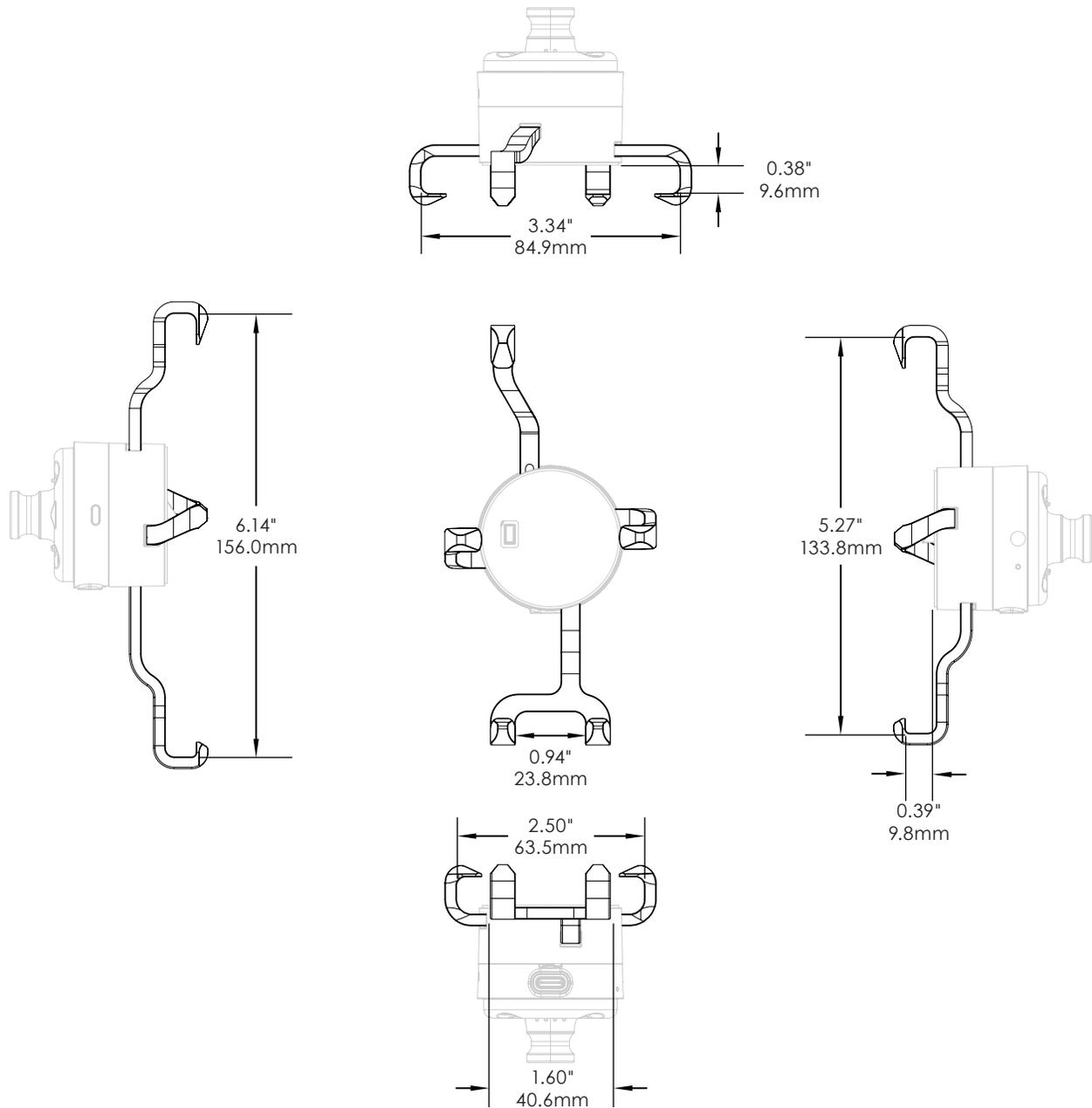


LIVE One60 Quick Release Sensor (DLD211):



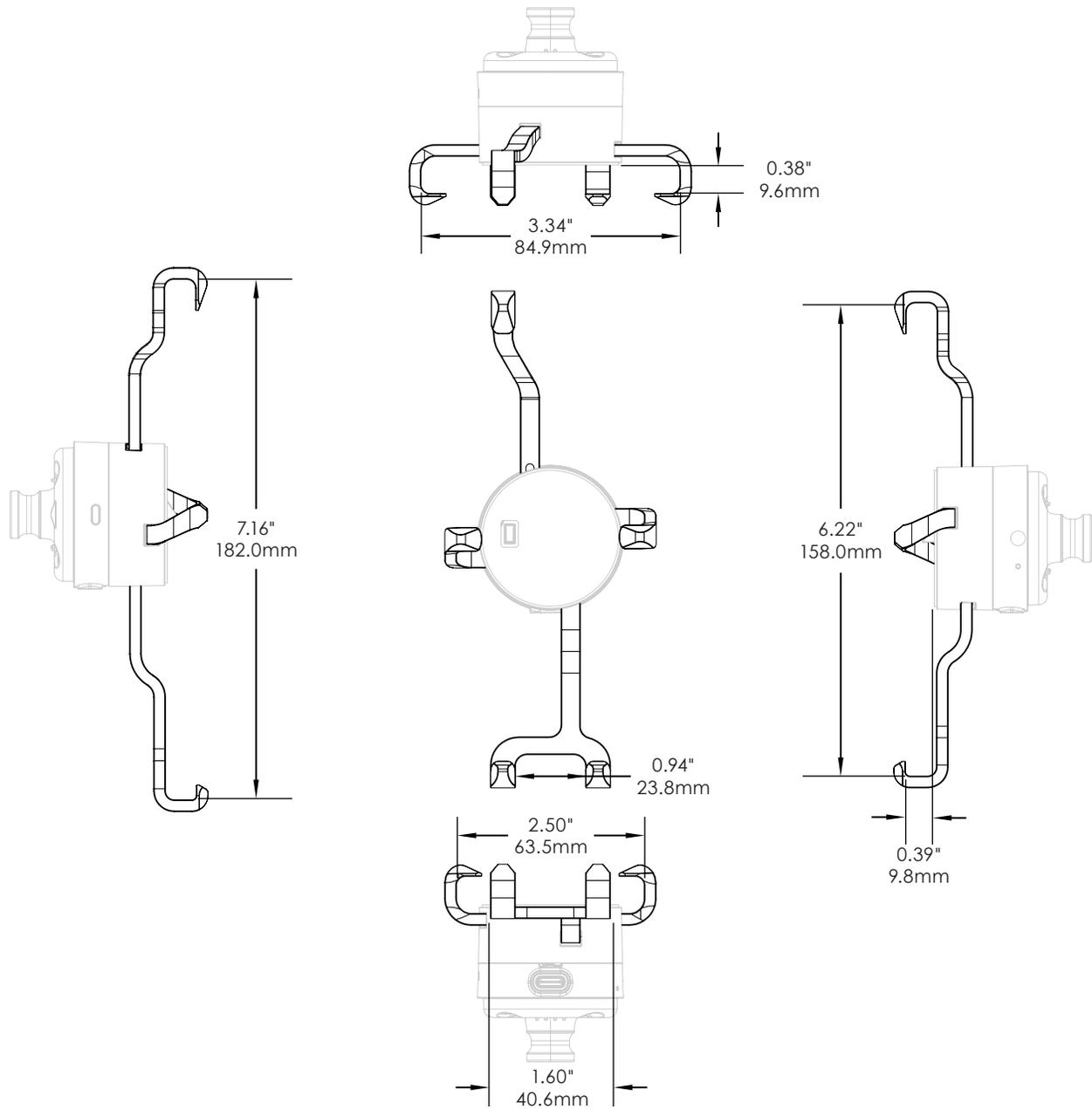
SPECIFICATIONS

LIVE OnePOD Quick Release HH Brackets - Medium (DLH291):



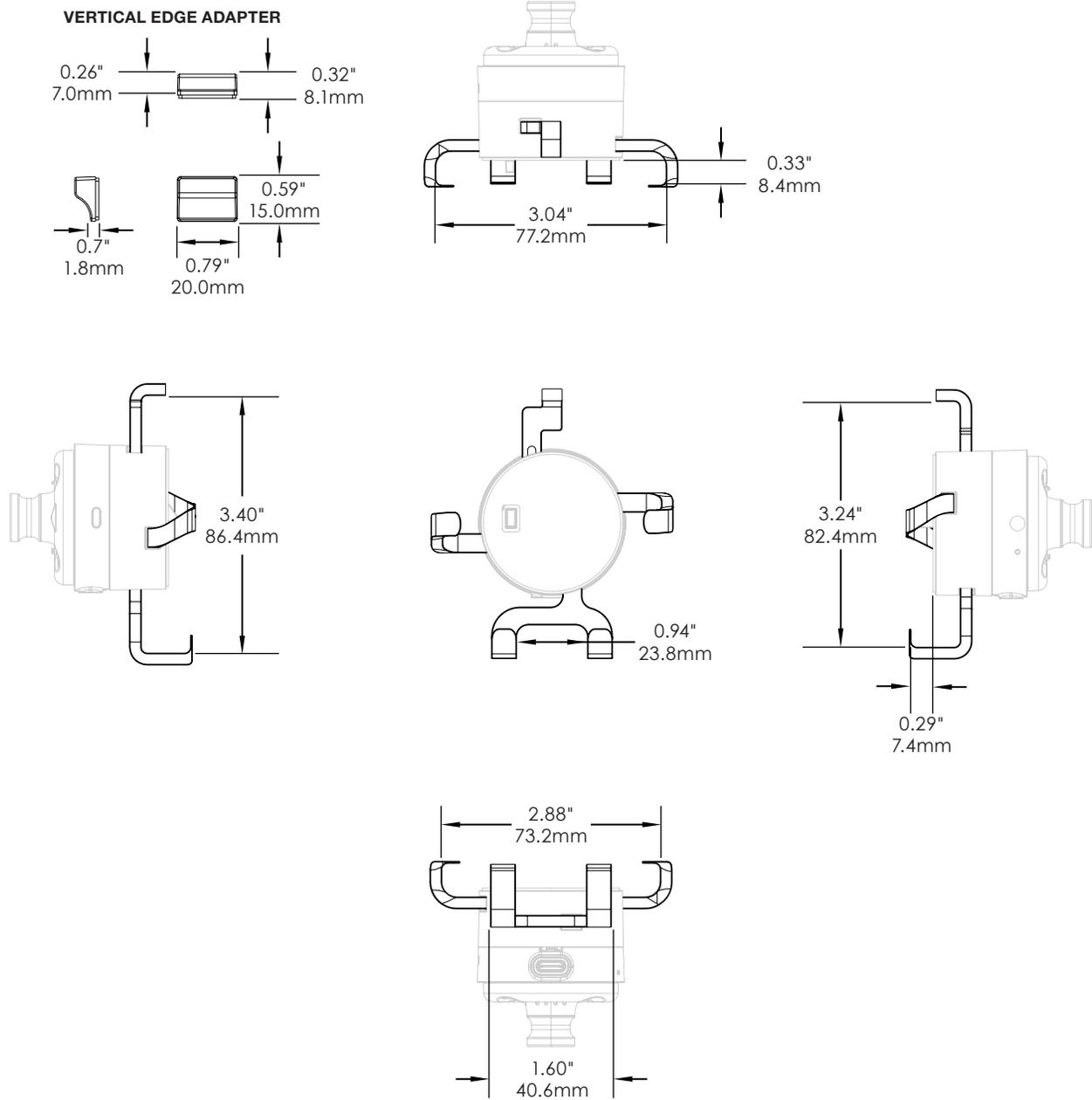
SPECIFICATIONS

LIVE OnePOD Quick Release HH Brackets - Large (DLH292):



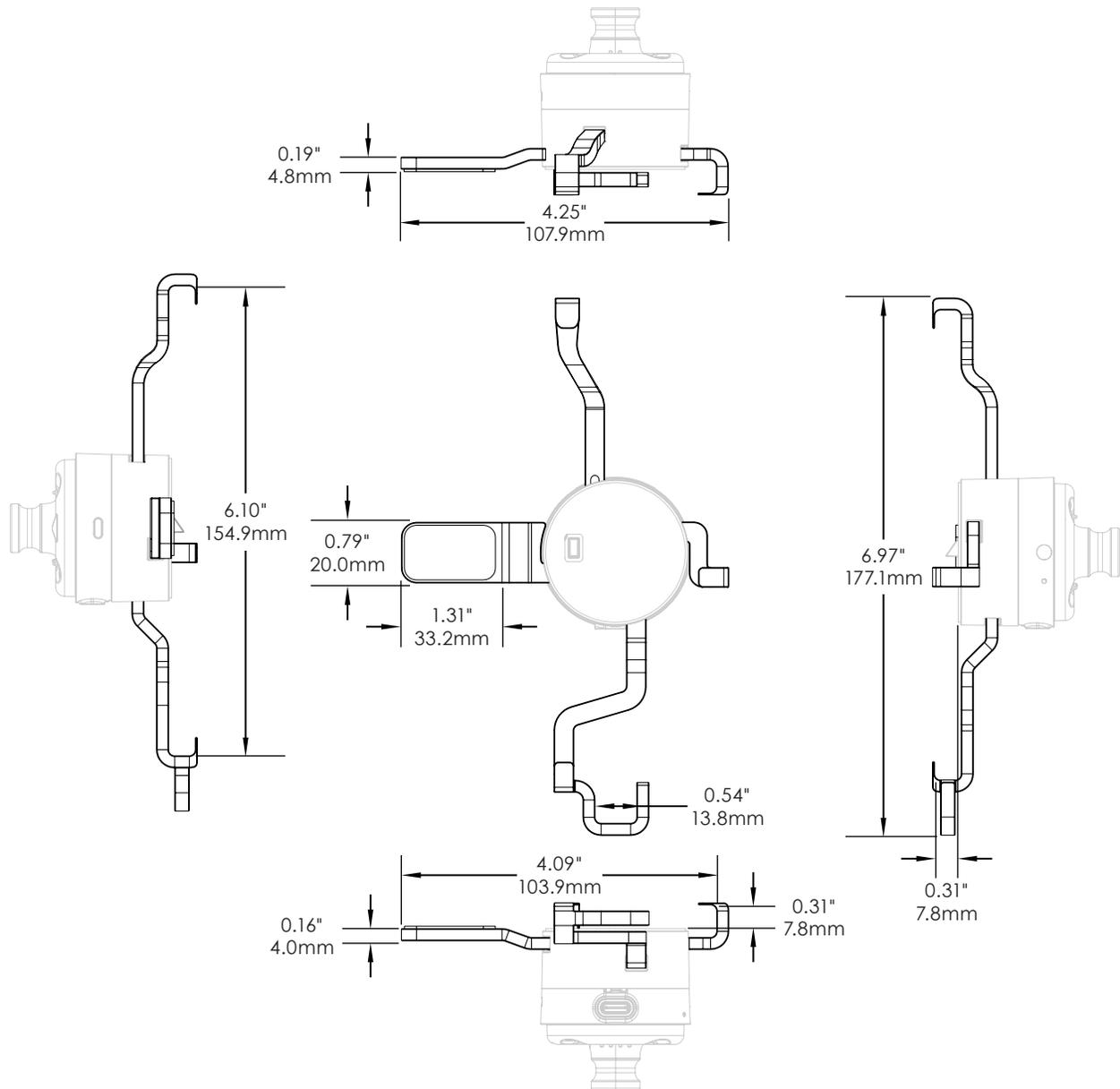
SPECIFICATIONS

LIVE OnePOD Quick Release Brackets for Samsung Flip (DLH295):



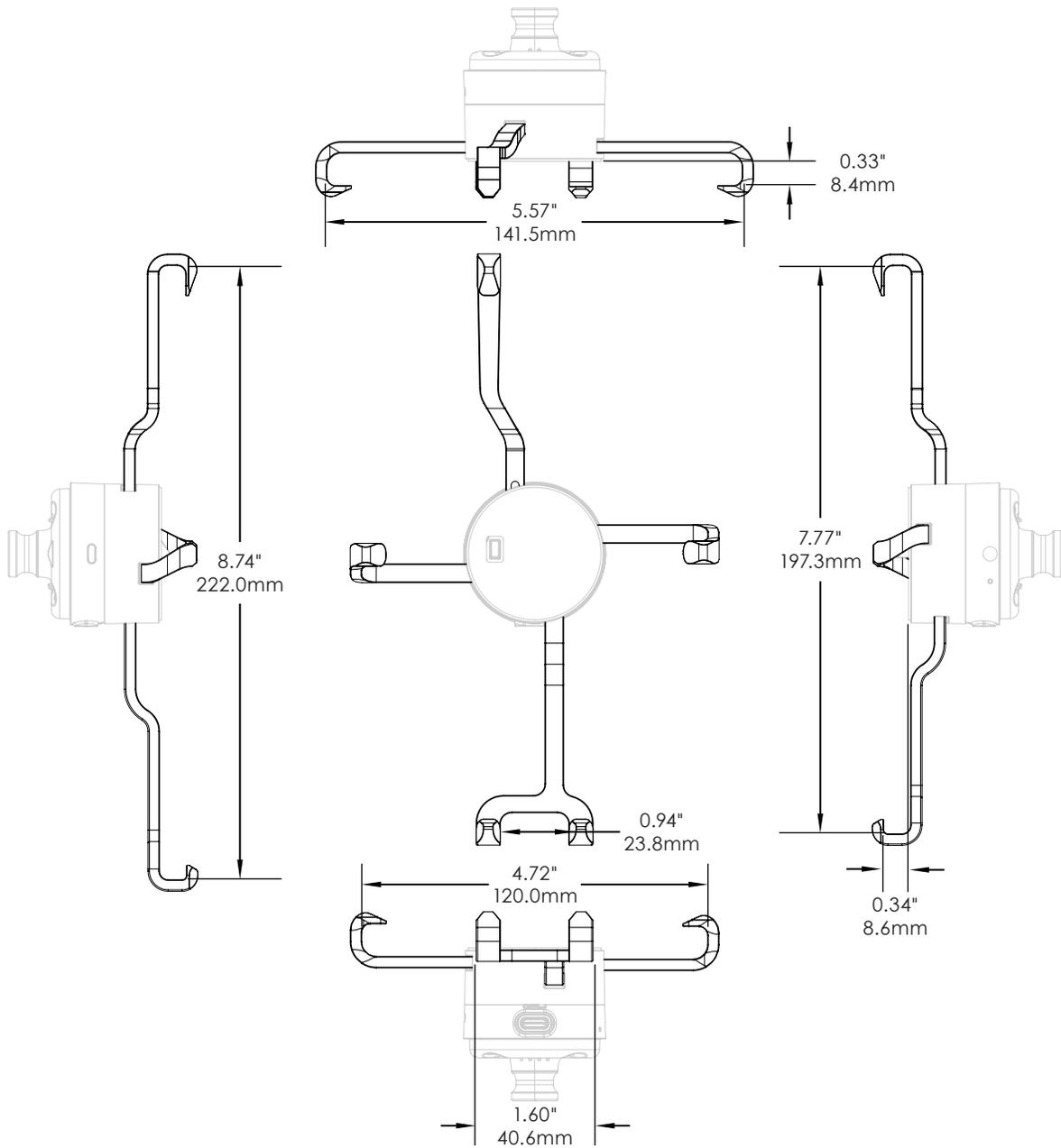
SPECIFICATIONS

LIVE OnePOD Quick Release Brackets for Samsung Fold (DLH296):



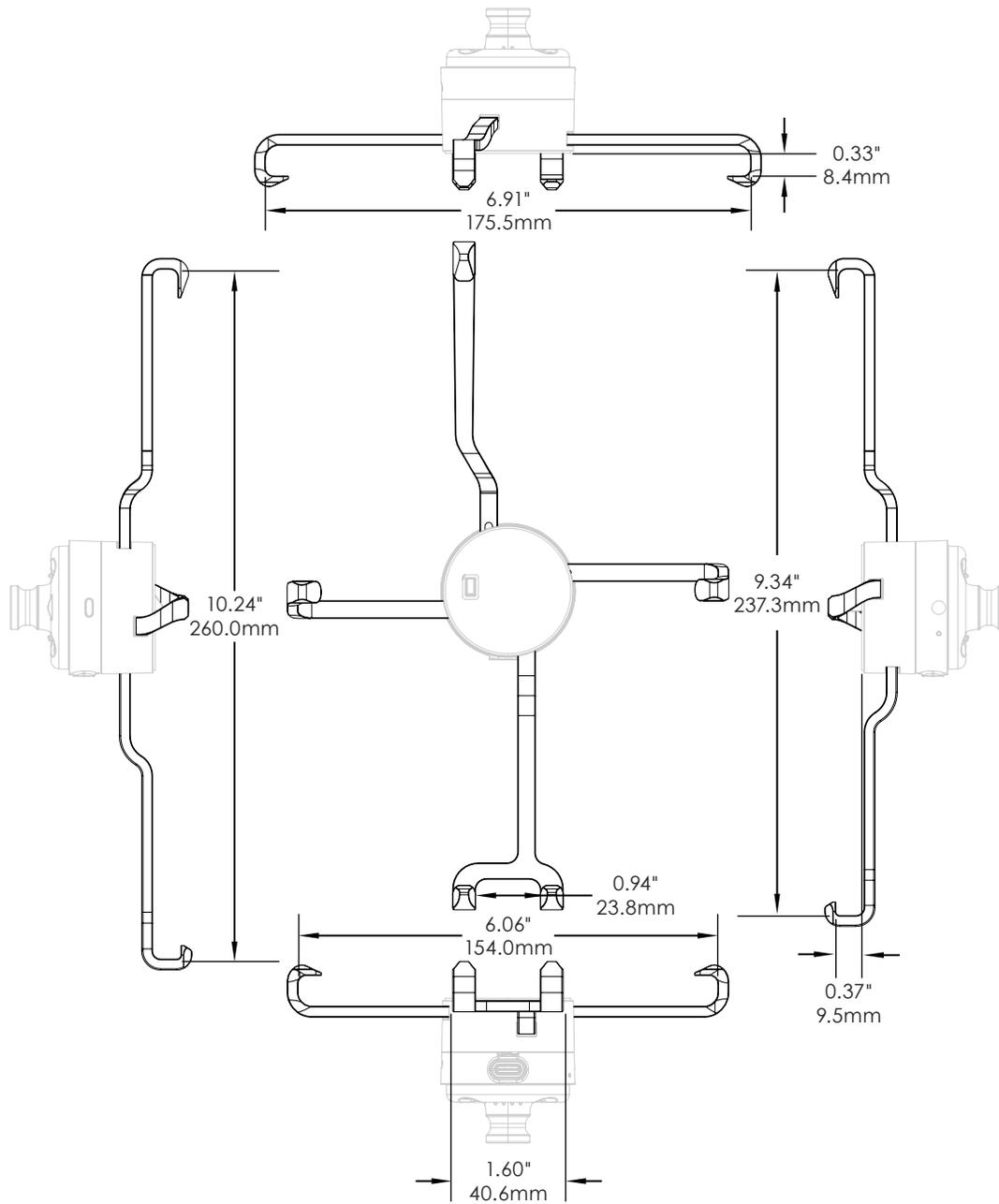
SPECIFICATIONS

LIVE OnePOD Quick Release Tablet Brackets - Small (DLT291):



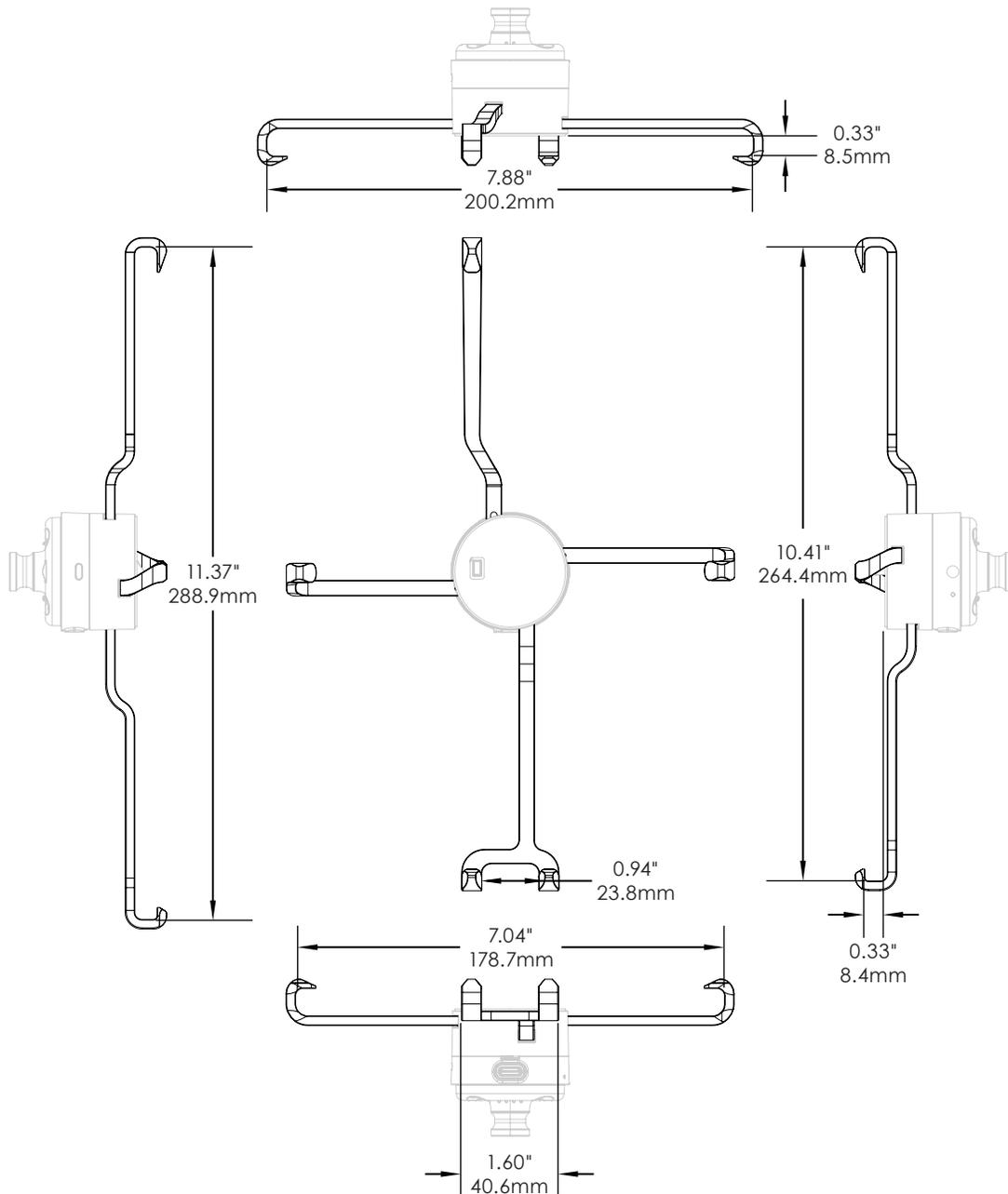
SPECIFICATIONS

LIVE OnePOD Quick Release Tablet Brackets - Medium (DLT292):



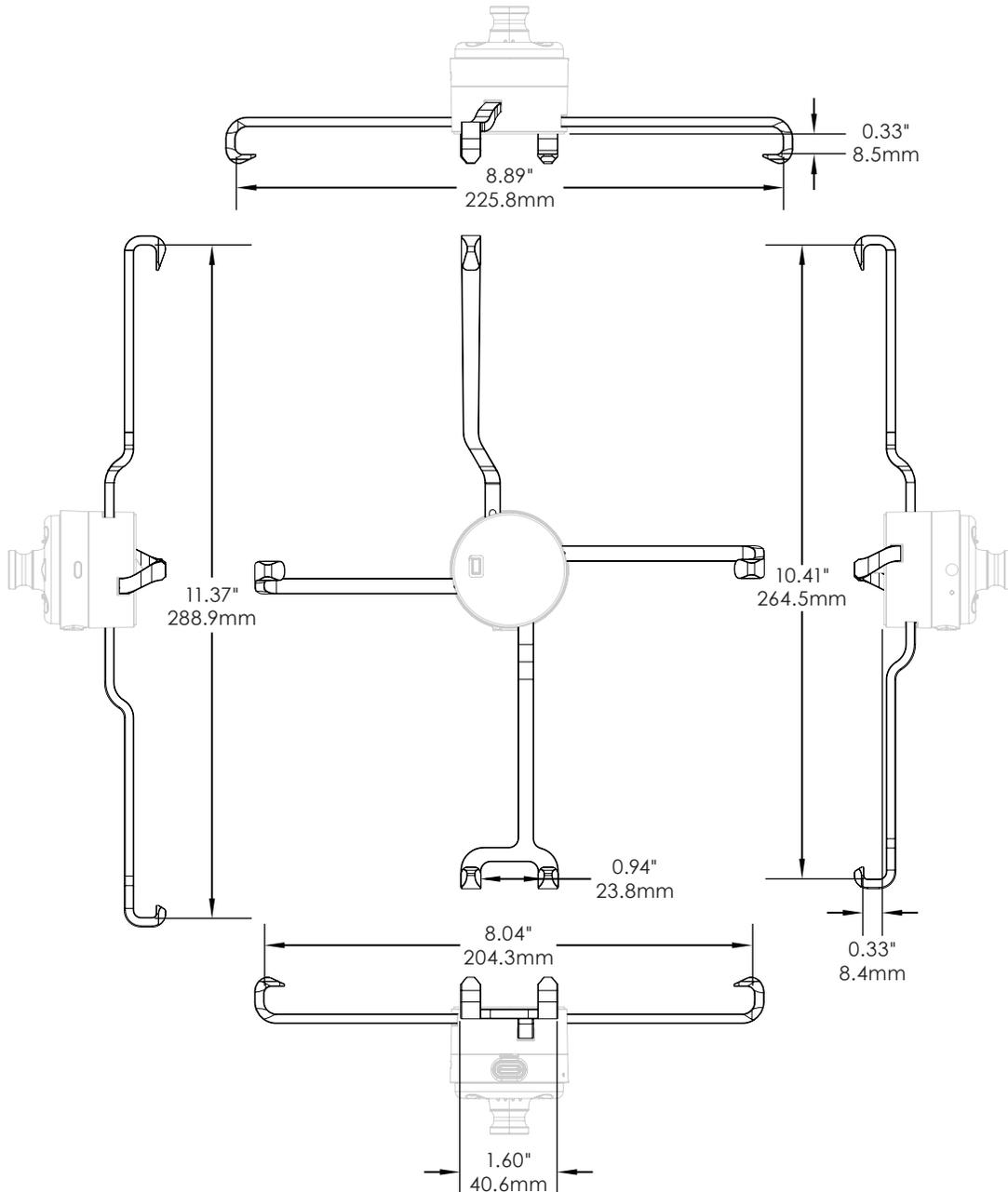
SPECIFICATIONS

LIVE OnePOD Quick Release Tablet Brackets - Large (DLT293):



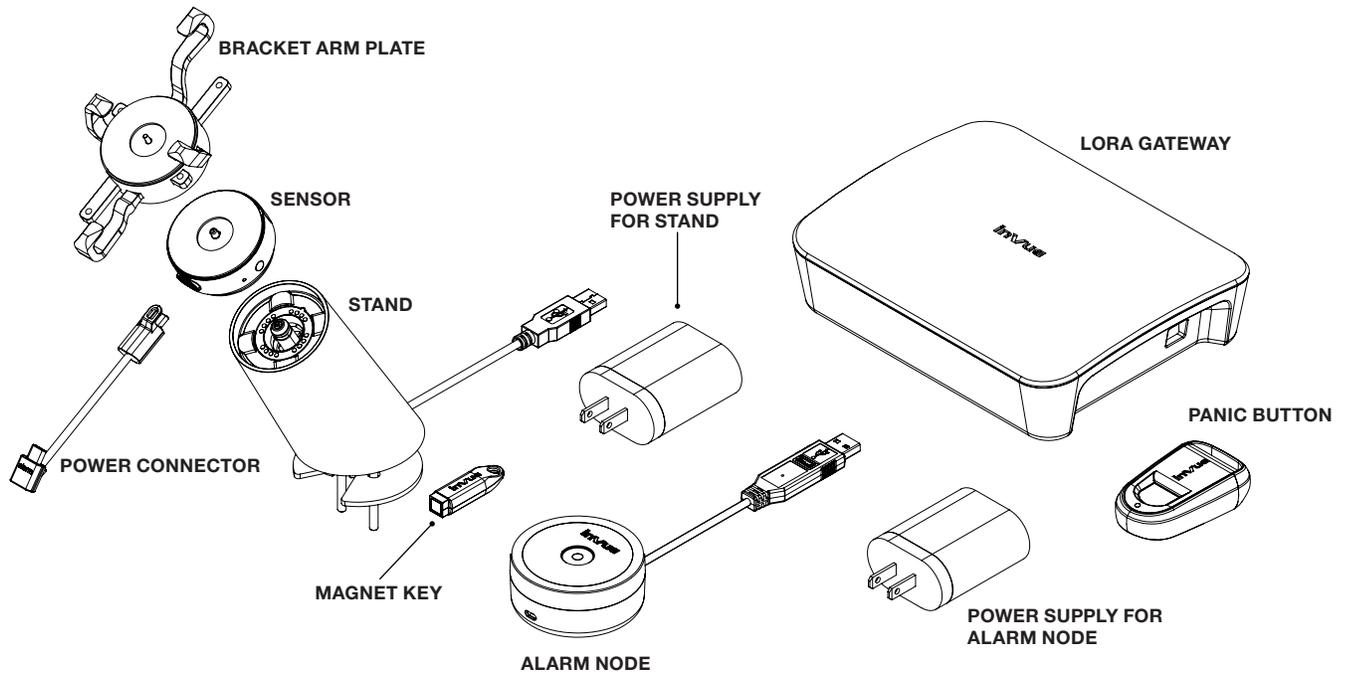
SPECIFICATIONS

LIVE OnePOD Quick Release Tablet Brackets - Extra Large (DLT294):



EXAMPLE ORDER

COMPONENT	ORDER CODE	DESCRIPTION
BRACKET ARM PLATE (OPTIONAL)	DBH298-W	ONEPOD 4MM 4-WAY HH BRACKET ARM PLATE
SENSOR	DLD210-00W	LIVE ONE60 SENSOR (902 MHZ - 928 MHZ)
POWER CONNECTOR	DBH501-W	ONEPOD HH USB-C POWER CONNECTOR (4-PK)
STAND	DLD160-W	ONE60 AUTO LOCK STAND
POWER SUPPLY FOR STAND	PS515-US	5V USB-A POSITIVE SLOPE POWER SUPPLY
ALARM NODE	DLD300-00W	LIVE ALARM NODE (902 MHZ - 928 MHZ)
POWER SUPPLY FOR ALARM NODE	PS515-US	5V USB-A POSITIVE SLOPE POWER SUPPLY
LORA GATEWAY	LI7000-00	LORA LTE GATEWAY - NA, LATAM - PS:US (US902-928, ED95-NA)
MAGNET KEY	DBG400	ONEPOD LOCKDOWN TOOL (4-PK)
PANIC BUTTON (OPTIONAL)	DLD220-00	LIVE PANIC BUTTON (902 MHZ - 928 MHZ)



PRODUCT ORDERING

ORDER CODE	DESCRIPTION	NOTES	INVENTORY STATUS
Stands			
DLD160-W	One60 Auto Lock Stand - White		Core
DLD160-B	One60 Auto Lock Stand - Black		Market Planning
Sensors			
LIVE OnePOD Sensors			
DLD200-00W	LIVE OnePOD Sensor (902 MHz - 928 MHz) - White		Core
DLD200-00B	LIVE OnePOD Sensor (902 MHz - 928 MHz) - Black		Market Planning
DLD200-01W	LIVE OnePOD Sensor (855 MHz - 821 MHz) - White		Core
DLD200-01B	LIVE OnePOD Sensor (855 MHz - 821 MHz) - Black		Market Planning
DLD200-04W	LIVE OnePOD Sensor (915 MHz - 928 MHz) - White		Core
DLD200-04B	LIVE OnePOD Sensor (915 MHz - 928 MHz) - Black		Market Planning
DLD200-06W	LIVE OnePOD Sensor (AS923 MHz) - White		Core
DLD200-06B	LIVE OnePOD Sensor (AS923 MHz) - Black		Market Planning
DLD200-07W	LIVE OnePOD Sensor (920 MHz - 923 MHz) - White		Core
DLD200-07B	LIVE OnePOD Sensor (920 MHz - 923 MHz) - Black		Market Planning
LIVE One60 Sensors			
DLD210-00W	LIVE One60 Sensor (902 MHz - 928 MHz) - White		Core
DLD210-00B	LIVE One60 Sensor (902 MHz - 928 MHz) - Black		Market Planning
DLD210-01W	LIVE One60 Sensor (855 MHz - 821 MHz) - White		Core
DLD210-01B	LIVE One60 Sensor (855 MHz - 821 MHz) - Black		Market Planning
DLD210-04W	LIVE One60 Sensor (915 MHz - 928 MHz) - White		Core
DLD210-04B	LIVE One60 Sensor (915 MHz - 928 MHz) - Black		Market Planning
DLD210-06W	LIVE One60 Sensor (AS923 MHz) - White		Core
DLD210-06B	LIVE One60 Sensor (AS923 MHz) - Black		Market Planning
DLD210-07W	LIVE One60 Sensor (920 MHz - 923 MHz) - White		Core
DLD210-07B	LIVE One60 Sensor (920 MHz - 923 MHz) - Black		Market Planning

* Market Planning designates that parts will be available with validated opportunity and standard lead-time



PRODUCT ORDERING

ORDER CODE	DESCRIPTION	NOTES	INVENTORY STATUS
LIVE OnePOD Quick Release Sensors			
DLD201-00W DLD201-00B	LIVE OnePOD Quick Release Sensor (902 MHz - 928 MHz) - White LIVE OnePOD Quick Release Sensor (902 MHz - 928 MHz) - Black		Core Market Planning
DLD201-01W DLD201-01B	LIVE OnePOD Quick Release Sensor (863 MHz - 870 MHz) - White LIVE OnePOD Quick Release Sensor (863 MHz - 870 MHz) - Black		Core Market Planning
DLD201-04W DLD201-04B	LIVE OnePOD Quick Release Sensor (915 MHz - 928 MHz) - White LIVE OnePOD Quick Release Sensor (915 MHz - 928 MHz) - Black		Core Market Planning
DLD201-06W DLD201-06B	LIVE OnePOD Quick Release Sensor (AS923 MHz) - White LIVE OnePOD Quick Release Sensor (AS923 MHz) - Black		Core Market Planning
LIVE One60 Quick Release Sensors			
DLD211-00W DLD211-00B	LIVE One60 Quick Release Sensor (902 MHz - 928 MHz) - White LIVE One60 Quick Release Sensor (902 MHz - 928 MHz) - Black		Core Market Planning
DLD211-01W DLD211-01B	LIVE One60 Quick Release Sensor (863 MHz - 870 MHz) - White LIVE One60 Quick Release Sensor (863 MHz - 870 MHz) - Black		Core Market Planning
DLD211-04W DLD211-04B	LIVE One60 Quick Release Sensor (915 MHz - 928 MHz) - White LIVE One60 Quick Release Sensor (915 MHz - 928 MHz) - Black		Core Market Planning
DLD211-06W DLD211-06B	LIVE One60 Quick Release Sensor (AS923 MHz) - White LIVE One60 Quick Release Sensor (AS923 MHz) - Black		Core Market Planning
LIVE Panic Buttons			
DLD220-00	LIVE Panic Button (902 MHz - 928 MHz)		Core
DLD220-01	LIVE Panic Button (855 MHz - 881 MHz)		Core
DLD220-04	LIVE Panic Button (915 MHz - 925 MHz)		Core
DLD220-06	LIVE Panic Button (923 MHz)		Core
DLD220-07	LIVE Panic Button (920 MHz - 923 MHz)		Core

* Market Planning designates that parts will be available with validated opportunity and standard lead-time



PRODUCT ORDERING

ORDER CODE	DESCRIPTION	NOTES	INVENTORY STATUS
LIVE OnePOD Quick Release Brackets			
DLH291	LIVE OnePOD Quick Release HH Brackets - Medium		Core
DLH292	LIVE OnePOD Quick Release HH Brackets - Large		Core
DLH295	LIVE OnePOD Quick Release Brackets for Samsung Flip		Core
DLH296	LIVE OnePOD Quick Release Brackets for Samsung Fold		Core
DLT291	LIVE OnePOD Quick Release Tablet Brackets - Small		Core
DLT292	LIVE OnePOD Quick Release Tablet Brackets - Medium		Core
DLT293	LIVE OnePOD Quick Release Tablet Brackets - Large		Core
DLT294	LIVE OnePOD Quick Release Tablet Brackets - Extra Large		Core
Compatible OnePOD Parts			
Power Connectors			
DBH500-W DBH500-B	One55/One65/One60 HH USB Micro Pwr Connector - White One55/One65/One60 HH USB Micro Pwr Connector - Black	> 4 pack	Core Market Planning
DBT500-W DBT500-B	One55/One65/One60 Tablet USB Micro Pwr Connector - White One55/One65/One60 Tablet USB Micro Pwr Connector - Black	> 4 pack	Core Market Planning
DBH501-W DBH501-B	One55/One65/One60 HH USB Type C Pwr Connector - White One55/One65/One60 HH USB Type C Pwr Connector - Black	> 4 pack	Core Market Planning
DBT501-W DBT501-B	One55/One65/One60 Tablet USB Type C Pwr Connector - White One55/One65/One60 Tablet USB Type C Pwr Connector - Black	> 4 pack	Core Market Planning
DBH502-W DBH502-B	One55/One65/One60 HH Lightning Pwr Connector - White One55/One65/One60 HH Lightning Pwr Connector - Black	> 4 pack	Core Market Planning
DBT502-W DBT502-B	One55/One65/One60 Tablet Lightning Pwr Connector - White One55/One65/One60 Tablet Lightning Pwr Connector - Black	> 4 pack	Core Market Planning
Brackets			
DBH282-W DBH282-B	One55/One65/One60 2 Arm Bracket Plate - White (Black HH brackets) One55/One65/One60 2 Arm Bracket Plate - Black (Black HH brackets)		Core Market Planning
DBT282-W DBT282-B	One55/One65/One60 2 Arm Bracket Plate - White (Black tablet brackets) One55/One65/One60 2 Arm Bracket Plate - Black (Black tablet brackets)		Core Market Planning
DBH298-W DBH298-B	One55/One65/One60 4 Arm Bracket Plate - White (Black HH brackets) One55/One65/One60 4 Arm Bracket Plate - Black (Black HH brackets)		Core Market Planning
DBH301-W DBH301-B	OnePOD 4 Arm Bracket Plate for 11mm Devices - White (Black tablet brackets) OnePOD 4 Arm Bracket Plate for 11mm Devices - Black (Black tablet brackets)		Core Market Planning
DBT298-W DBT298-B	One55/One65/One60 4 Arm Bracket Plate - White (Black tablet brackets) One55/One65/One60 4 Arm Bracket Plate - Black (Black tablet brackets)		Core Market Planning
DBT299-W	OnePod 4 Arm Large Tablet Bracket Plate - White (Black tablet brackets)		Core

*Market Planning designates that parts will be available with validated opportunity and standard lead-time



PRODUCT ORDERING

ORDER CODE	DESCRIPTION	NOTES	INVENTORY STATUS
Accessories & Power Supplies			
DBG400	One55/One65/One60 Magnetic Tool	> 4 pack	Core
ADH2180	OnePOD Sensor Adhesive Replacement	> 8 pack	Core
ADH2181	OnePOD Angled Stand Adhesive Replacement	> 8 pack	Core
PS515-AUS PS515-EU PS515-JPN PS515-UK PS515-US	5V USB-A Positive Slope Power Supply - AUS 5V USB-A Positive Slope Power Supply - EU 5V USB-A Positive Slope Power Supply - JPN 5V USB-A Positive Slope Power Supply - UK 5V USB-A Positive Slope Power Supply - US		Core
PS537	4 Port, 5V/3A USB-A Power Box	Requires C7 YC Cable	Core
YC9 YC10 YC11 YC12 YC14	C7 AC Power Cable - US C7 AC Power Cable - UK C7 AC Power Cable - EU C7 AC Power Cable - AU C7 AC Power Cable - JPN	Required for PS537	Core

*Market Planning designates that parts will be available with validated opportunity and standard lead-time

LIVE Alarm Nodes			
DLD300-00B	LIVE Alarm Node (902 MHz -928 MHz)	Black	Core
DLD300-00W	LIVE Alarm Node (902 MHz -928 MHz)	White	Core
DLD300-01B	LIVE Alarm Node (855 MHz -881 MHz)	Black	Core
DLD300-01W	LIVE Alarm Node (855 MHz -881 MHz)	White	Core
DLD300-06B	LIVE Alarm Node (AS923 MHz)	Black	Core
DLD300-06W	LIVE Alarm Node (AS923 MHz)	White	Core
ADH2381	LIVE Alarm Node Replacement Adhesive	2 Pack	Core

invue.com

©2023 InVue Security Products. No endorsement of InVue products has been made by any of the manufacturers of the products shown. Product is sold pursuant to InVue's warranty which can be found at www.invue.com/warranty.

THE AMERICAS 704.752.6513 • 888.55.INVUE

EUROPE, MIDDLE EAST & AFRICA +31.23.8900150

ASIA PACIFIC +852.3127.6811

