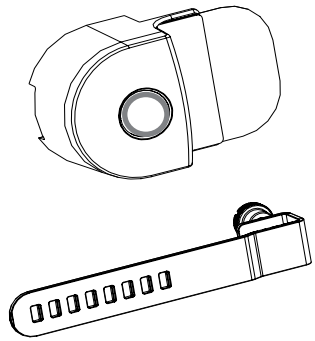
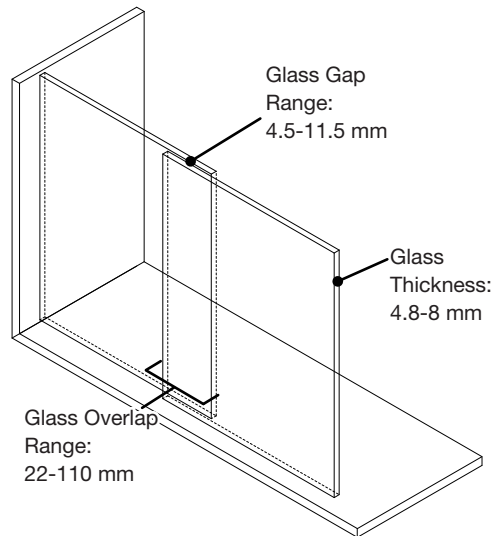


INVUE

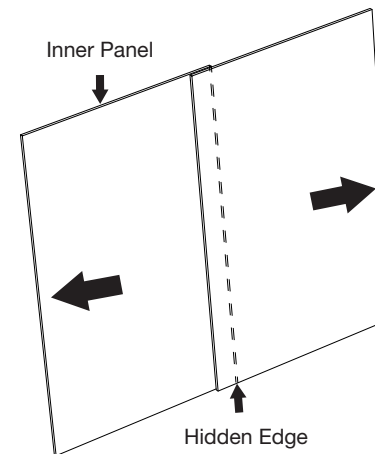
L410 Sounder Lock PL801 -SOUND



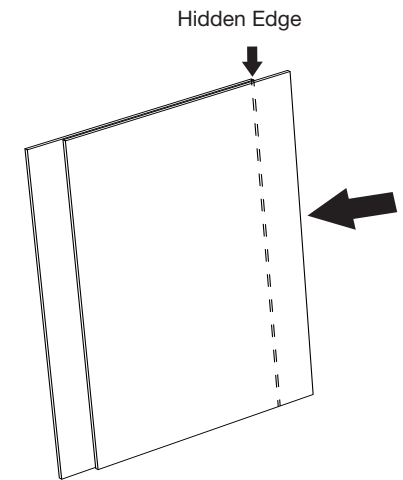
- 1 Determine that the fixture meet the below specifications. if it does not, **DO NOT MOUNT THE L410.**



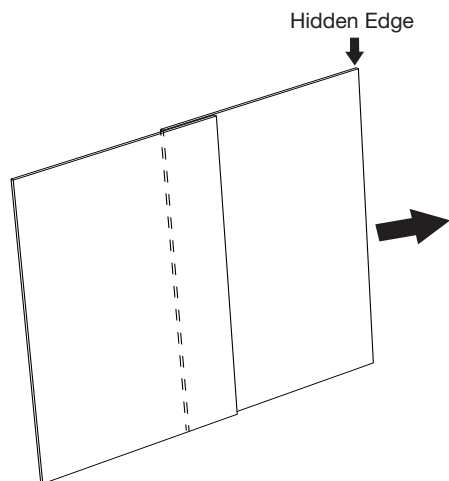
- 2 Fully close both glass panels and identify the inner glass panel.



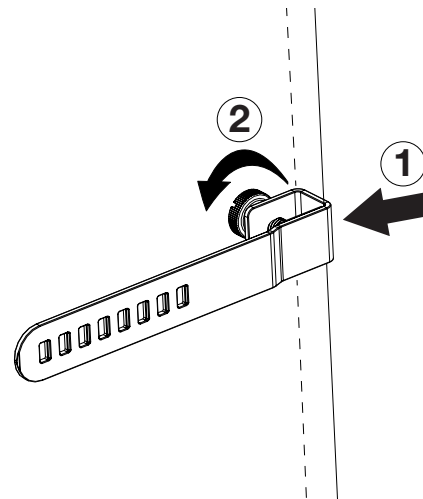
- 3 Open the outer panel fully.



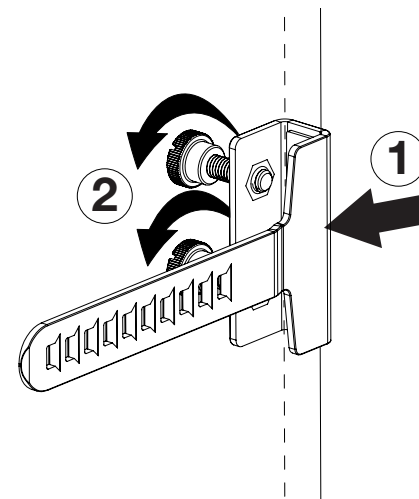
- 4 Move the inner panel out to have access to the hidden edge of the inner glass panel.



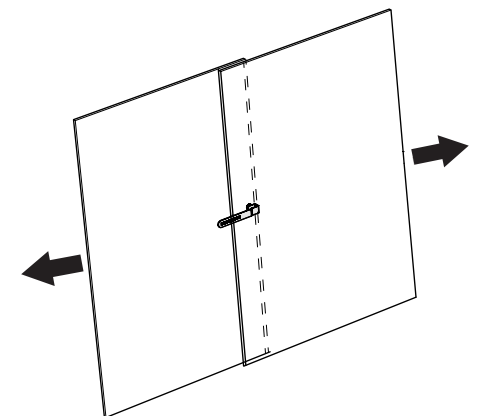
- 5a Slide strike plate over the edge of inner panel. Tighten screw.



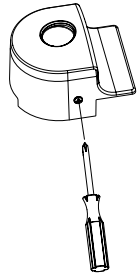
- 5b If using the wide attachment strike plates (PL820-11 or PL820-21), tighten both screws.



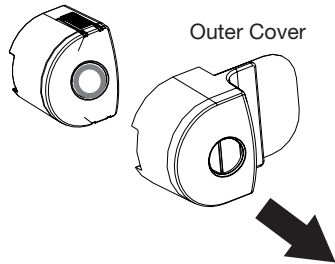
- 6 Fully close both glass panels.



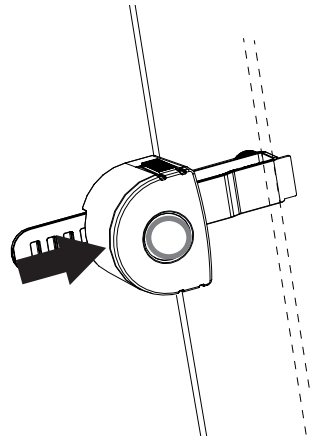
- 7 Use the provided screwdriver to loosen the set screw. Separate outer cover from lock housing.



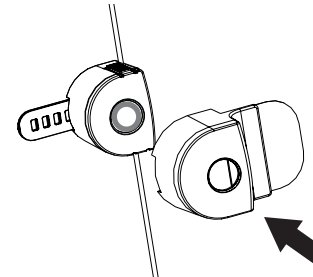
Lock Housing



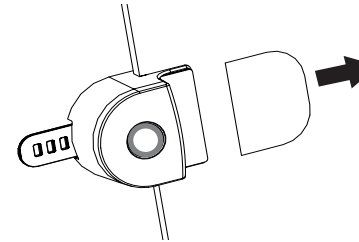
- 8 Slide lock housing completely onto strike plate. Confirm lock housing is pushed against edge of outer panel.



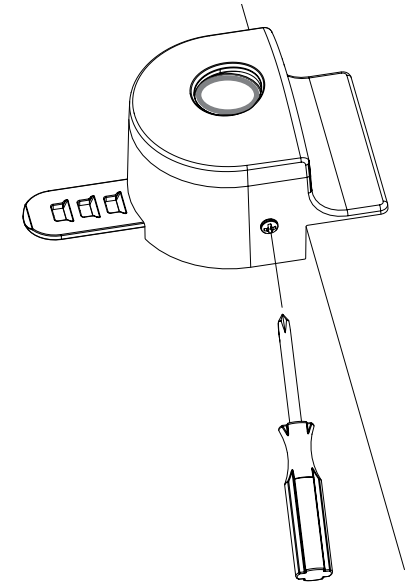
- 9 Slide outer cover onto lock housing until it rests against the surface of the outer glass panel.



- 10 Press outer cover against outer glass panel to hold in place and pull adhesive tab. Press and hold adhesive against outer glass panel for 10 seconds.

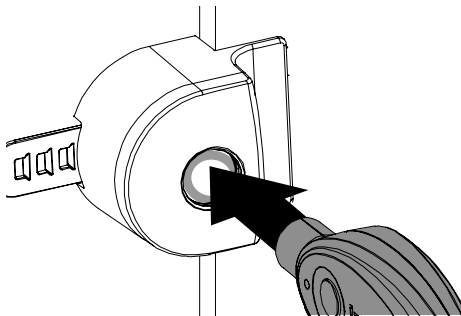


- 11 Use screw driver provided to tighten set screw on outer cover. Do not over tighten.



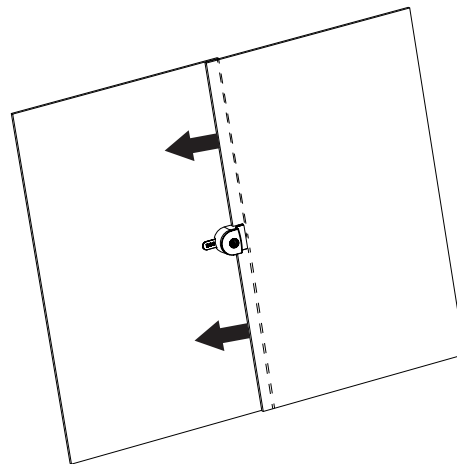
Use:

- 1 To unlock the L410 Sounder Lock press IR2 or IR3 Sounder key into IR lens on front of lock housing and press the button. Wait for the IR2 or IR3 Sounder key to beep before removing key from IR lens.

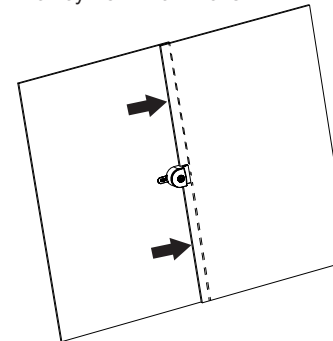


Note: If the key does not beep and makes a knock-knock sound it means the key was pulled away too soon. Try again and wait for the beep before pulling key away. Once Unlocked the key will continue to beep until the lock is relocked.

- 2 Open the outer glass panel using the L410 Sounder Lock outer cover as a handle.



- 3 To lock the L410 Sounder Lock slide the glass panels closed. Press the IR2 or IR3 Sounder key against the IR lens on the lock housing and press the button. Wait for the IR2 or IR3 Sounder key to beep before removing the key from the IR lens.



Note: If the key does not beep and makes a knock-knock sound it means the key was pulled away too soon. Try again and wait for the beep before pulling key away.

SD0573 Rev2 03/23/2018

INVUE

www.invue.com

NA / LATAM // 704.752.6513 • 888.55.INVUE

EMEA // +31.23.8900150

APAC // +852.3127.6811

© 2018 InVue Security Products Inc. All rights reserved.
InVue is a registered trademark of InVue Security Products.