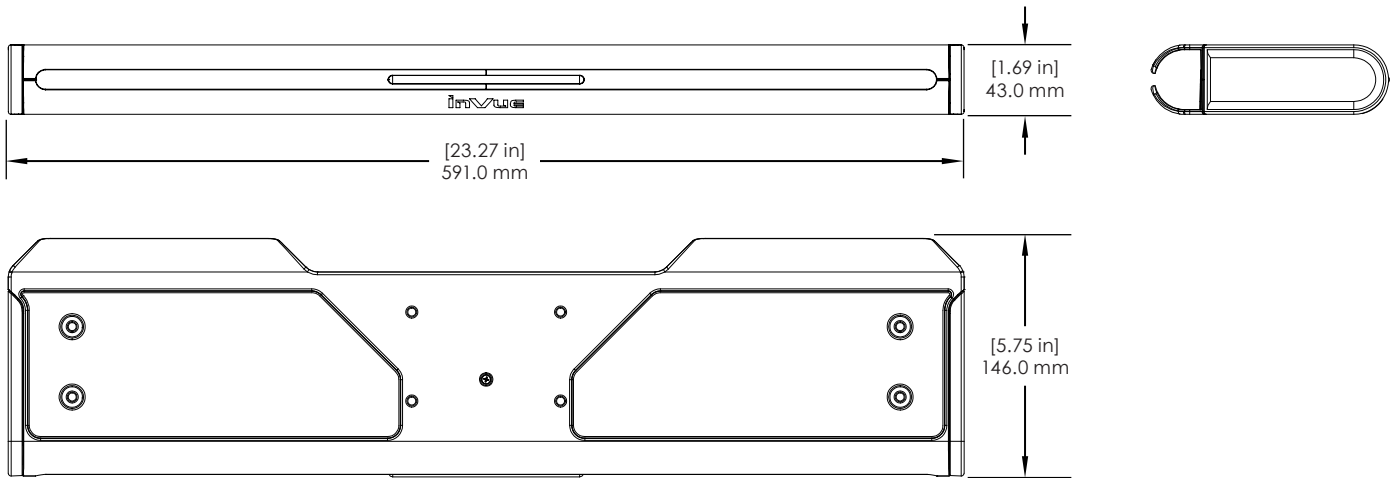
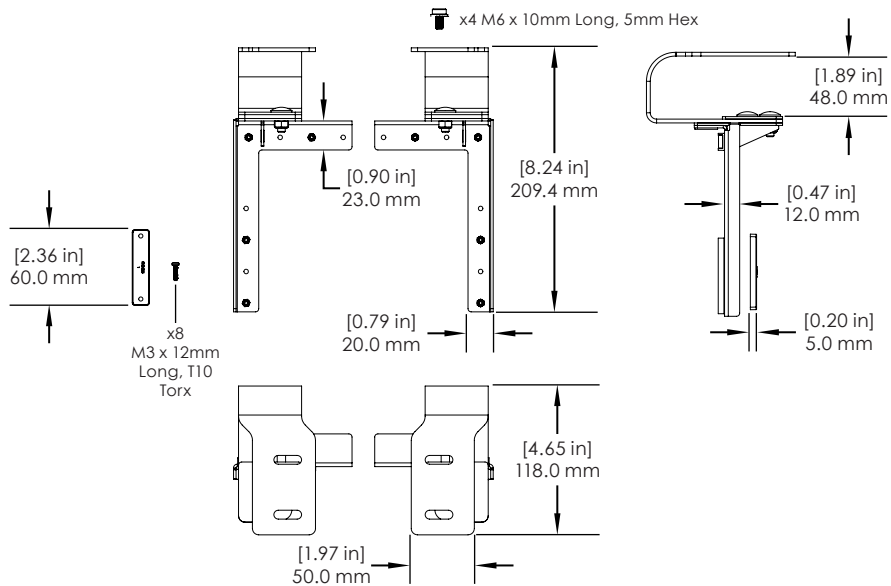


## SPECIFICATIONS

ZONE DETECTION - WIRED SENSOR UNIT - AC/PoE (RZD101), AC ONLY (RZD102) & PoE ONLY (RZD103):

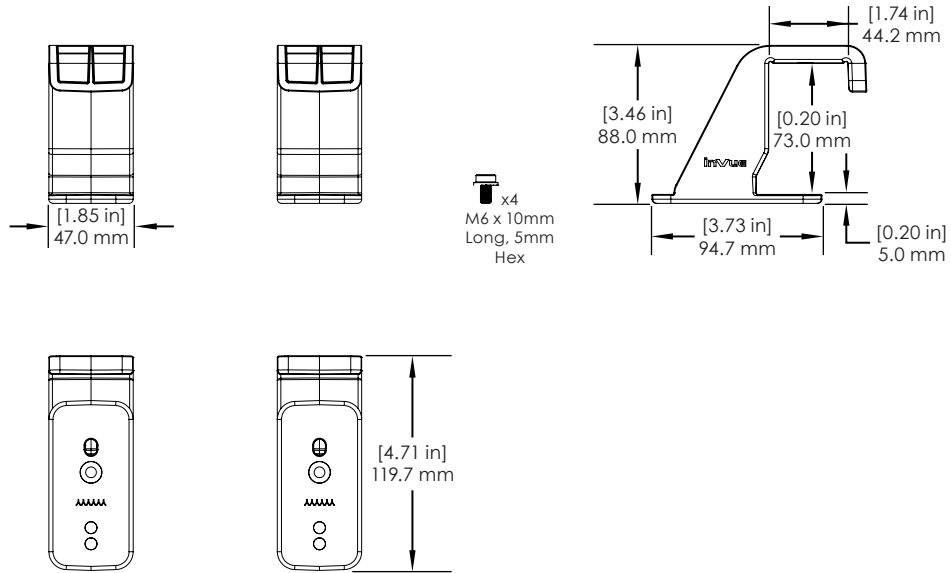


UNIVERSAL TOP OF RACK BRACKET (RZD202):

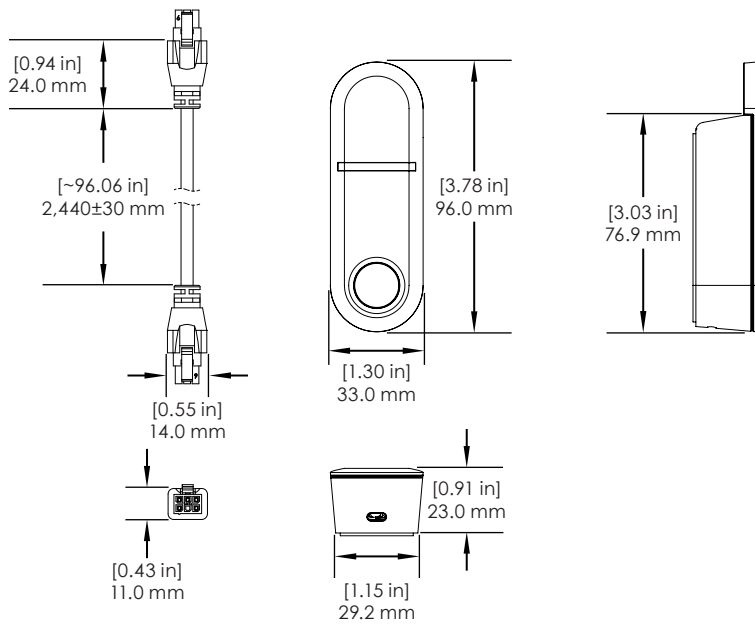


## SPECIFICATIONS

### UNI-STRUT BRACKET (RZD201):



### ACCESS CONTROL POINT W/ LED & SPEAKER (RZD302):



### PRODUCT ORDERING

ORDER CODE	DESCRIPTION	NOTES
<b>ZONE DETECTION UNITS</b>		
RZD101	WIRED SENSOR UNIT (AC & PoE)	
RZD102	WIRED SENSOR UNIT (AC ONLY)	
RZD103	WIRED SENSOR UNIT (PoE ONLY)	
<b>TOP OF RACK BRACKETS</b>		
RZD202	UNIVERSAL TOP OF RACK BRACKET	INCLUDES MAGNET & SCREW MOUNT
RZD203	SCREW MOUNT TOP OF RACK BRACKET	SCREW MOUNT ONLY
<b>UNI-STRUT BRACKETS</b>		
RZD201	UNI-STRUT MOUNTING BRACKET	
<b>ACCESS CONTROL POINT</b>		
RZD302	ACCESS CONTROL POINT w/ LED & SPEAKER	
<b>ACCESSORIES</b>		
RZD450	RETRO REFLECTOR ROLL (15M / 50FT)	50.8mm / 2in WIDE
RZD490	RETRO REFLECTOR PLATE - COOLING TILE	PACK OF 10
RZD901	REPLACEMENT ADHESIVES FOR RACK MOUNT KIT	PACK OF 20

[invue.com](http://invue.com)

©2022 InVue Security Products. No endorsement of InVue products has been made by any of the manufacturers of the products shown. Product is sold pursuant to InVue's warranty which can be found at [www.invue.com/warranty](http://www.invue.com/warranty).

**THE AMERICAS** 704.752.6513 • 888.55.INVUE  
**EUROPE, MIDDLE EAST & AFRICA** +31.23.8900150  
**ASIA PACIFIC** +852.3127.6811